



# Stainless Steel Hatch Lock - With Lock - Round

**£91.90**

Excl. Tax: £76.58

## Product Images



## Short Description

---

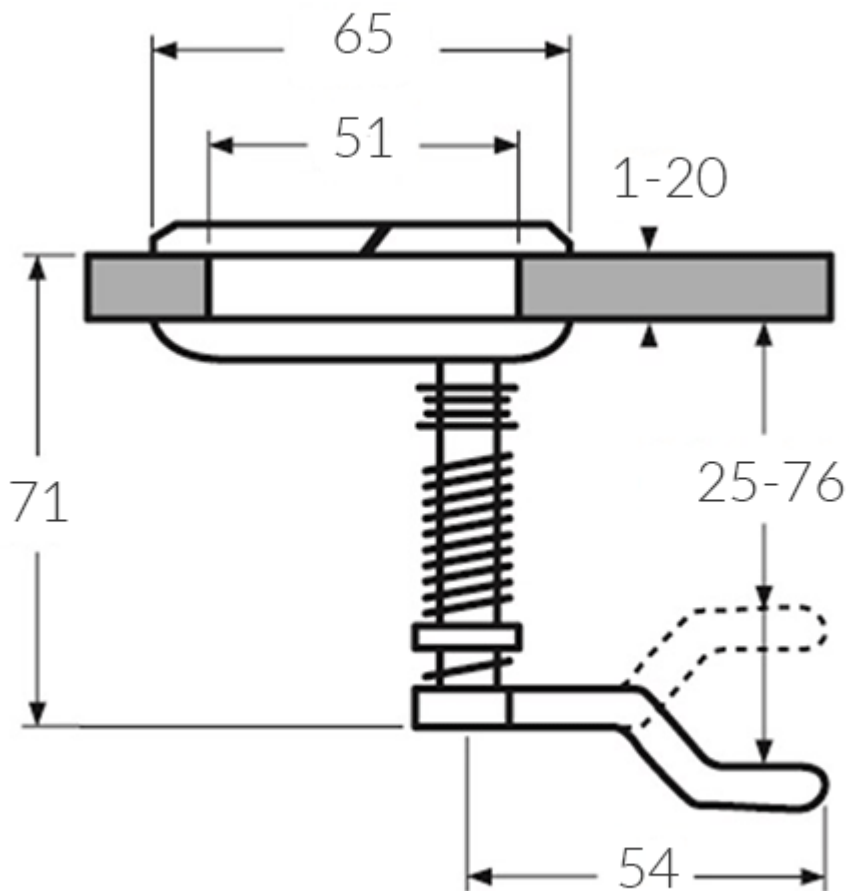
A 316-grade, stainless steel, hatch lock. Available in a round or square design, locking and non-locking.

- Spring loaded
- Anti-rattle design
- Waterproof
- Installation screws and gaskets included

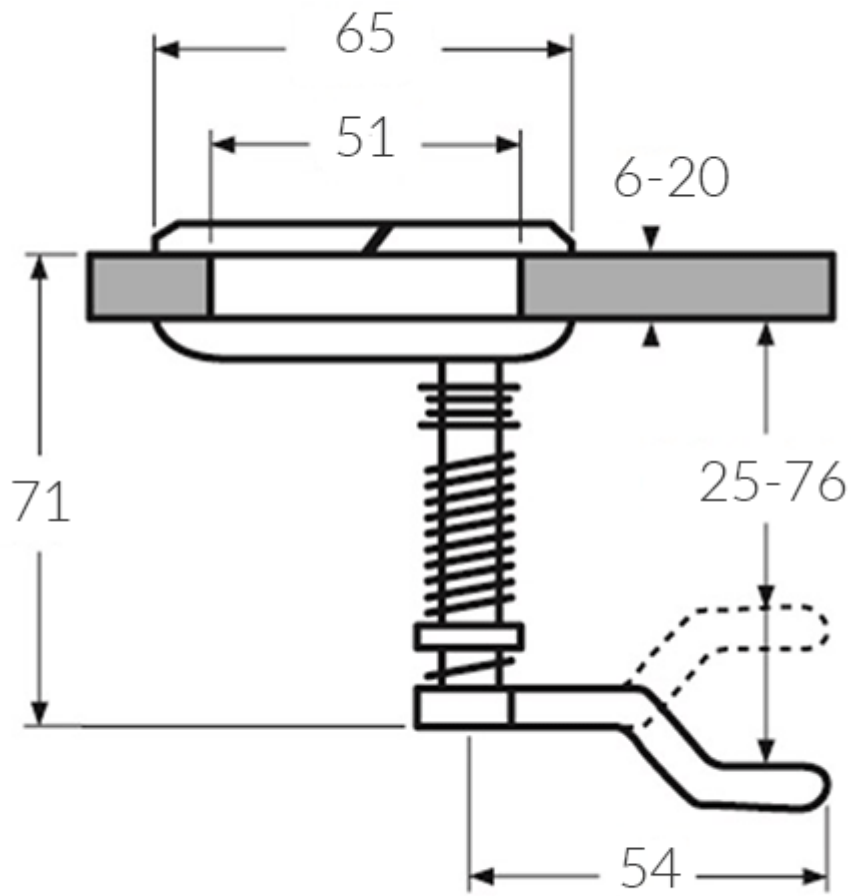
## Description

---

# Without Lock



# With Lock



## Additional Information

Weight (kg)	0.300000
Finish	316 Stainless Steel
Version	Round
Locking	With Lock

