



Stainless Steel Hatch Lock - With Lock - Square

£94.99

Excl. Tax: £79.16

Product Images



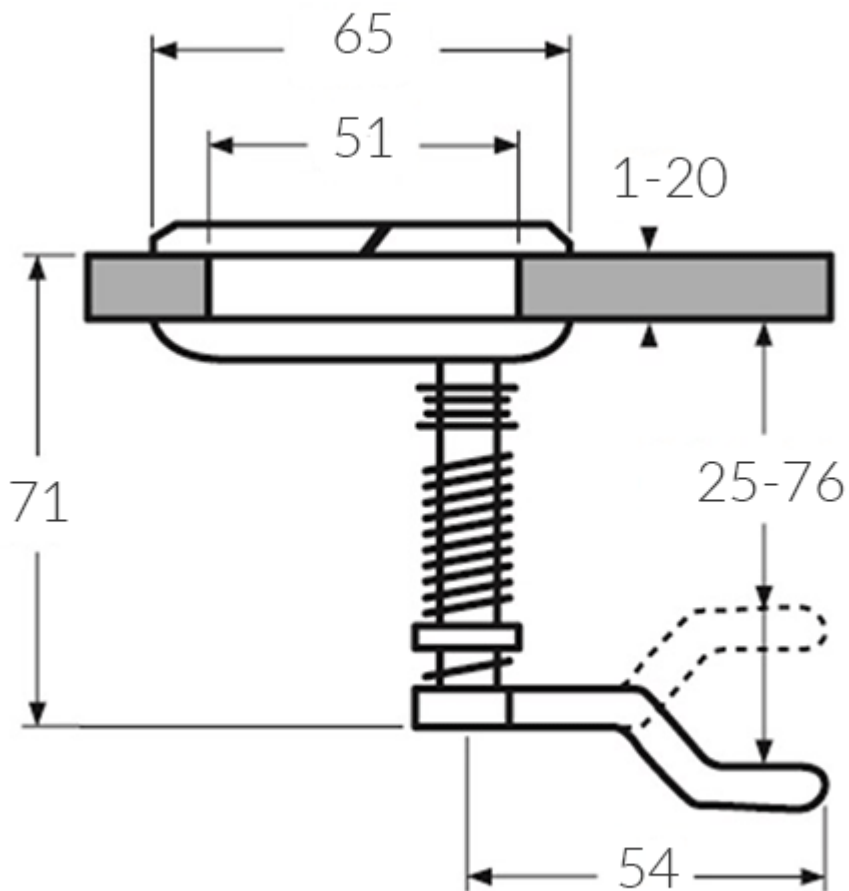
Short Description

A 316-grade, stainless steel, hatch lock. Available in a round or square design, locking and non-locking.

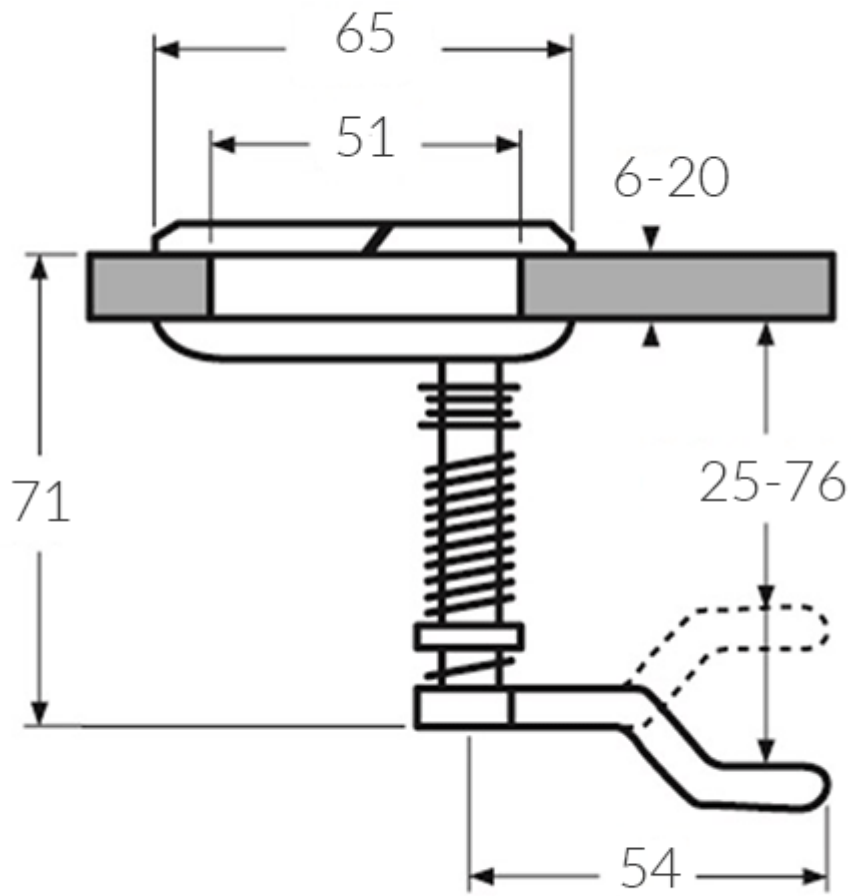
- Spring loaded
- Anti-rattle design
- Waterproof
- Installation screws and gaskets included

Description

Without Lock



With Lock



Additional Information

Weight (kg)	0.300000
Finish	316 Stainless Steel
Version	Square
Locking	With Lock

