



Stainless Steel Hatch Lock - No Lock - Round

£87.32

Excl. Tax: £72.77

Product Images



Short Description

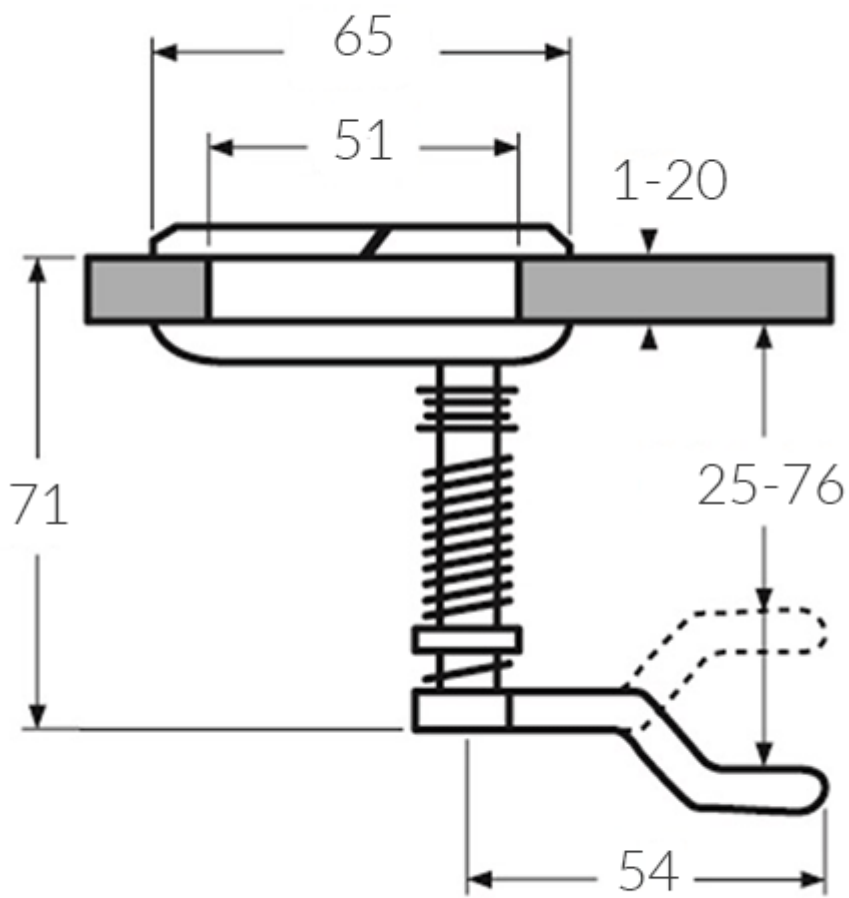
A 316-grade, stainless steel, hatch lock. Available in a round or square design, locking and non-locking.

- Spring loaded
- Anti-rattle design
- Waterproof

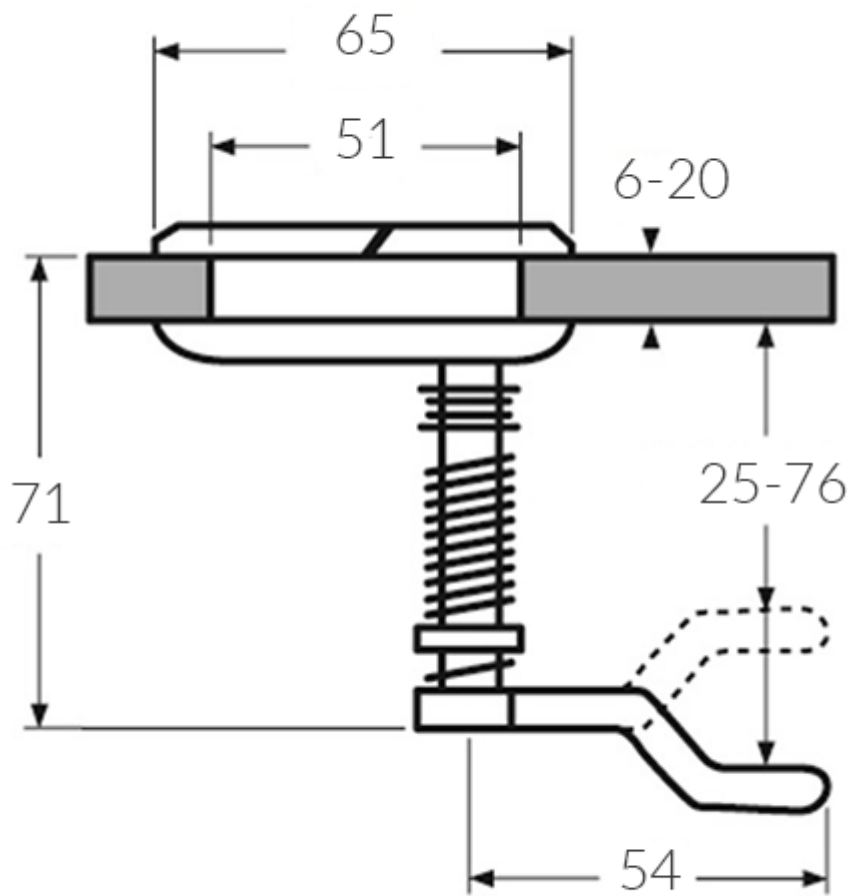
- Installation screws and gaskets included

Description

Without Lock



With Lock



Additional Information

Weight (kg)	0.300000
Finish	316 Stainless Steel
Version	Round
Locking	No Lock

