

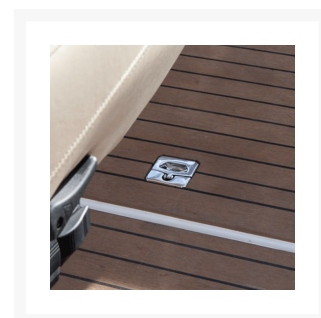


Stainless Steel Hatch Lock - No Lock - Square

£68.29

Excl. Tax: £56.91

Product Images

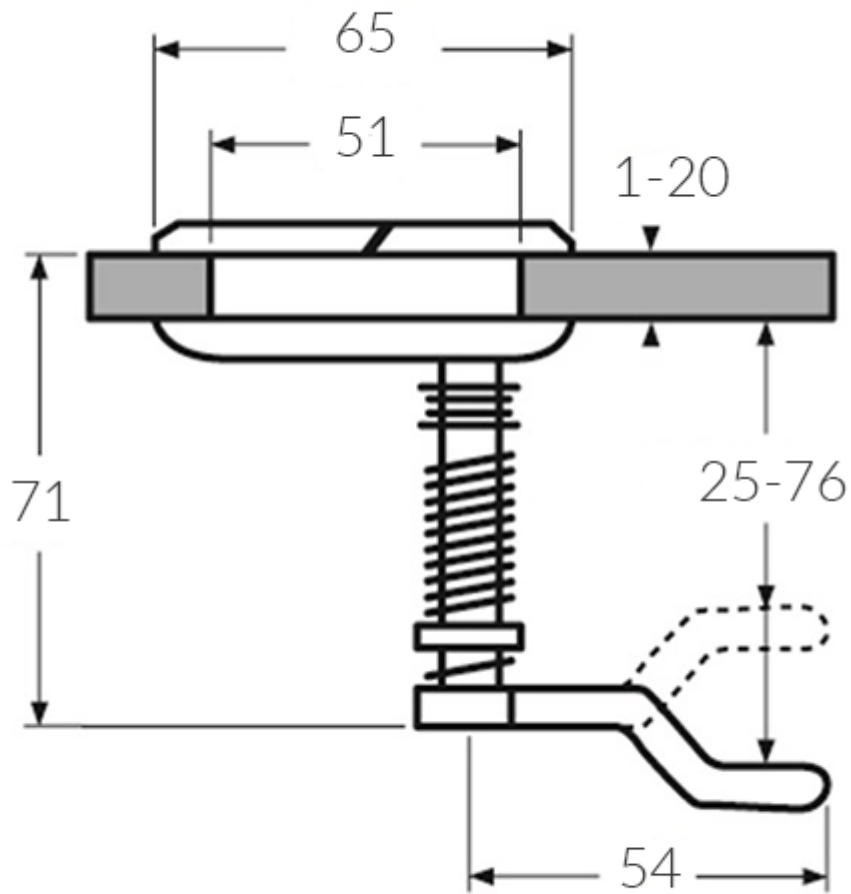


Short Description

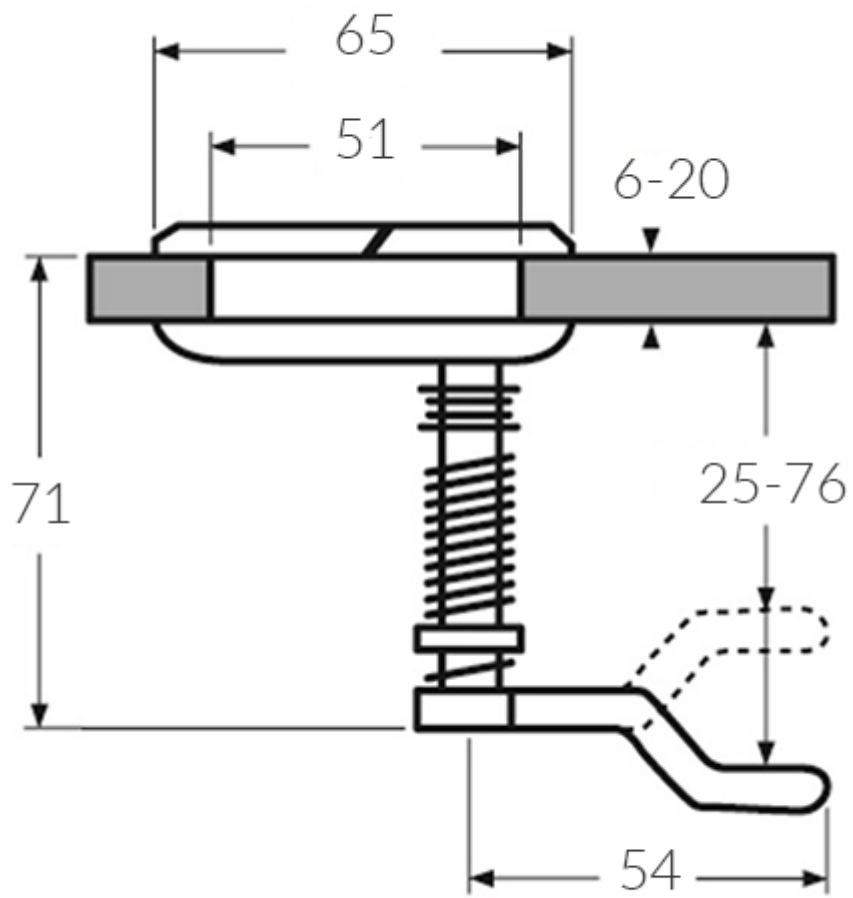
A 316-grade, stainless steel, hatch lock. Available in a round or square design, locking and non-locking.

- Spring loaded
- Anti-rattle design
- Waterproof
- Installation screws and gaskets included

Without Lock



With Lock



Additional Information

Weight (kg)	0.300000
Finish	316 Stainless Steel
Version	Square
Locking	No Lock

