



Stainless Steel Sliding Latch

£76.82

Excl. Tax: £64.02

Product Images



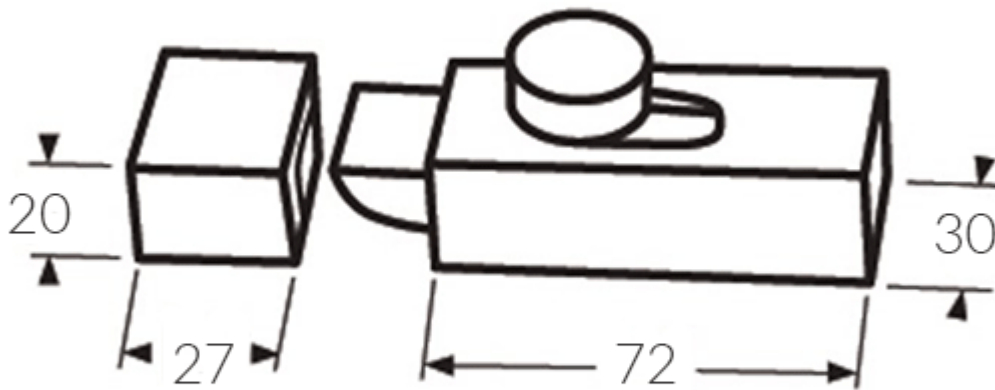
Short Description

A 316-grade, stainless steel, spring loaded sliding latch.

We recommend M4 countersunk screws for installation, not supplied.

Description

Dimensions



Additional Information

Height (mm)	20.00
Width (mm)	30.00
Length (mm)	72.00
Keeper Length (mm)	27.00
Keeper Width (mm)	30.00
Finish	316 Stainless Steel
Weight (kg)	0.270000

