



UP14/OIL-AC Bronze Geared Pump for Lubricating Oil

£625.30

Excl. Tax: £521.08

Product Images



Short Description

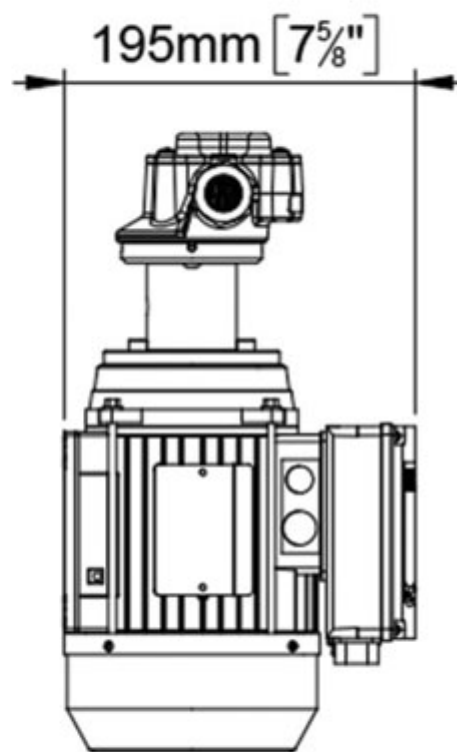
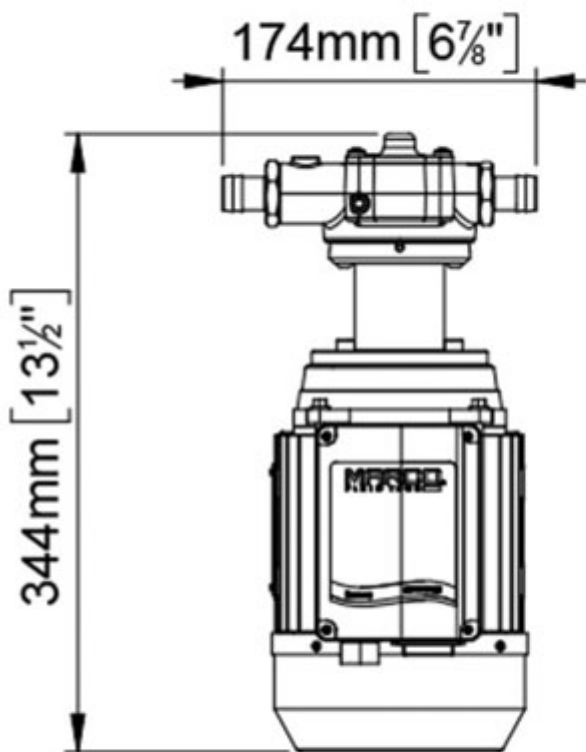
The UP6/OIL-AC is a self-priming electric pump for the transfer of lubricating oils and viscous liquids.

This pump has helical bronze gears and is designed for the transfer of oil and, antifreeze, diesel and other such liquids. This particular model of pump can run dry briefly. It must not be used with water, petrol, flammable liquids with PM <38°C and chemicals/solvents. The UP14/OIL has a flow rate of 21 litres per minute at 4 bar pressure.

- Nickel-plated brass body and stainless steel shaft
- Helical bronze gears
- Flow rate of 21 l/min
- Max. pressure of 4 bar
- 230V, 50HZ

Description

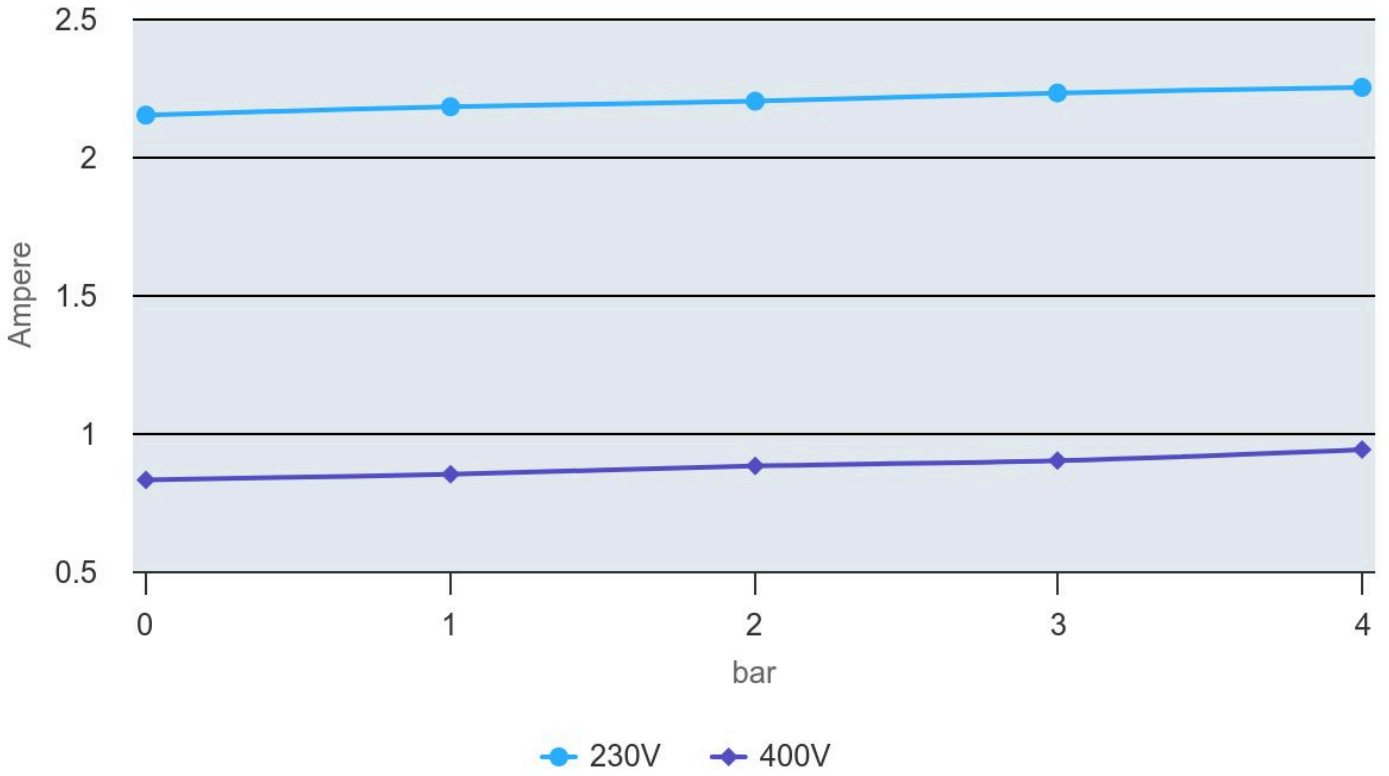
Product Drawing



H 344 x L 174 x W 195
H 13 1/2" x L 6 7/8" x W 7 5/8"

Electrical absorption

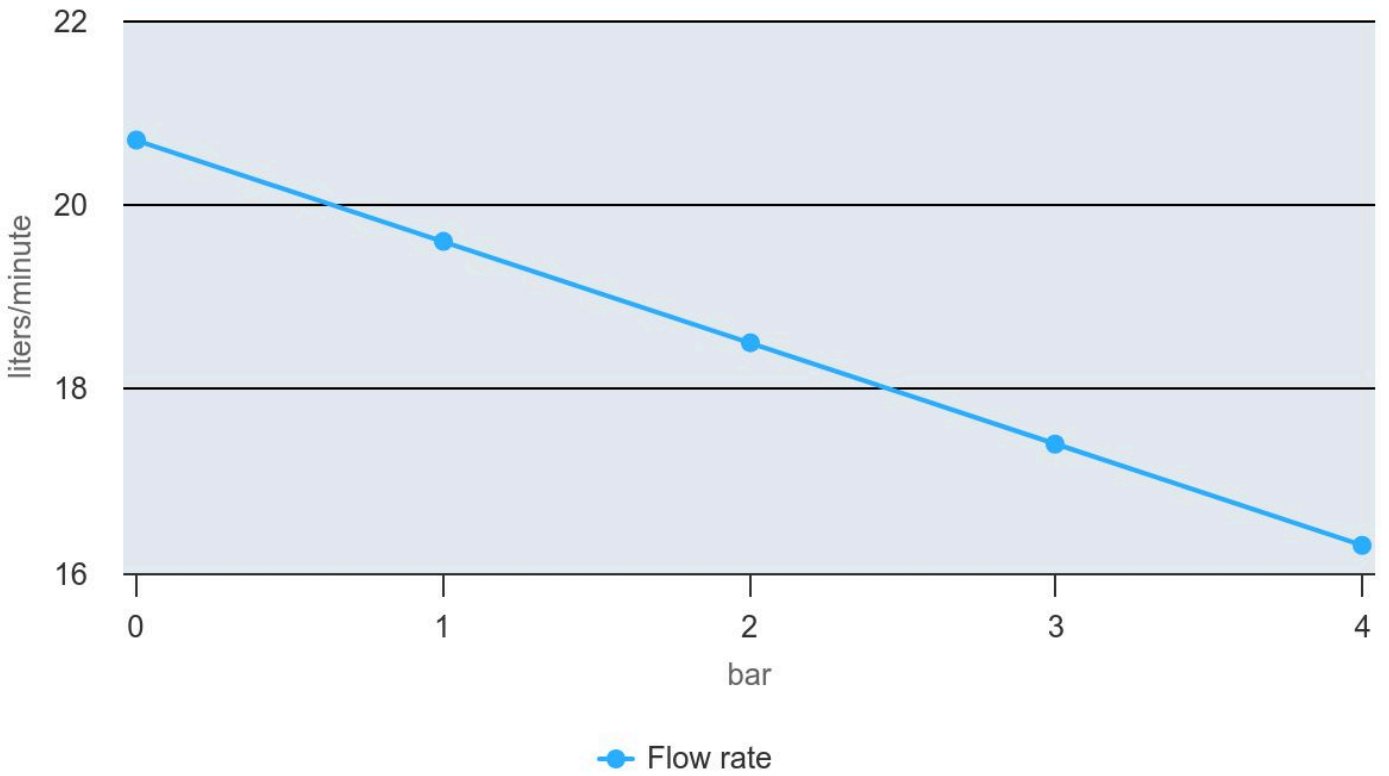
UP14-OIL-AC



marco.it

Flow rate

UP14-OIL-AC

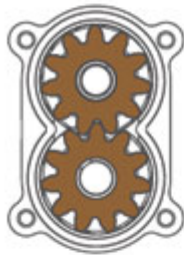


marco.it

Bronze Gears

The Marco bronze helical bronze gears guarantee constant pressure, heavy duty cycles, less noise and can operate even in the absence of liquid. The pumps have nickel plated bodies and stainless steel shafts, FKM seals and NBR O-rings. Some models are available with an integrated on-off switch or flow reverser switch. There are kits with battery clips and electronic control (low voltage versions).

BRONZE GEARS



REVERSIBLE



Additional Information

Input Voltage	230V
Flow Rate	21 l/min
Pressure	4 bar
Liquid Type	Oil
Power Consumption	2.1 Amps
Fuse	3 Amps
Hose Connection	19mm
Ports (BSP)	3/4"
Weight (kg)	8.100000
Manufacturer	Marco
EAN Barcode	8022278611391

