



# Stainless Steel Oval Hinge (Pair)

**£90.00**

Excl. Tax: £75.00

## Product Images



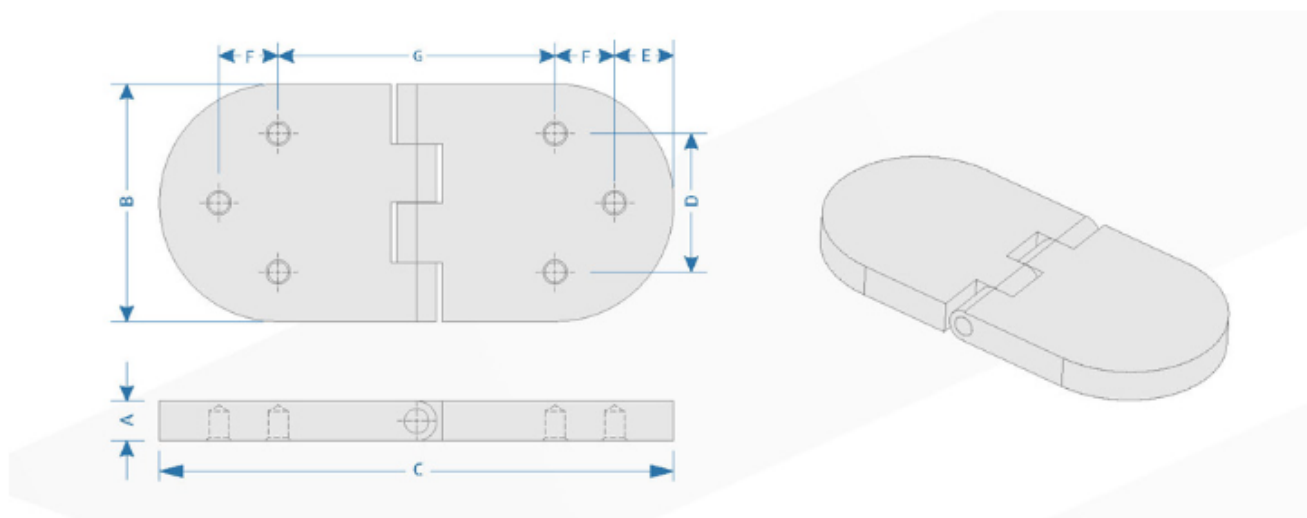
## Short Description

A pair of mirror-polished, 316-grade, stainless steel hinges in an oval shape. Secured using six M6 screws (not included).

Priced to clear due to surface imperfections caused by welding during production.

## Description

### Oval hinge



Material: Stainless steel AISI 316L – Finish: mirror polished

Articolo	A (mm)	B (mm)	C (mm)	D (mm)	E (mm)	F (mm)	G (mm)	Screw	Weight (g)
MG213	10	60	130	35	15	15	70	6x M6	600

## Additional Information

Length (mm)	130.00
Width (mm)	60.00
Leaf Thickness (mm)	10.00
Finish	316 Stainless Steel
Weight (kg)	1.200000

