

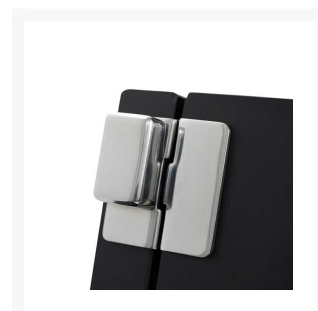
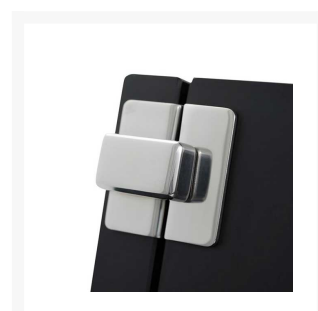


Stainless Steel Cupboard Latch

£36.83

Excl. Tax: £30.69

Product Images





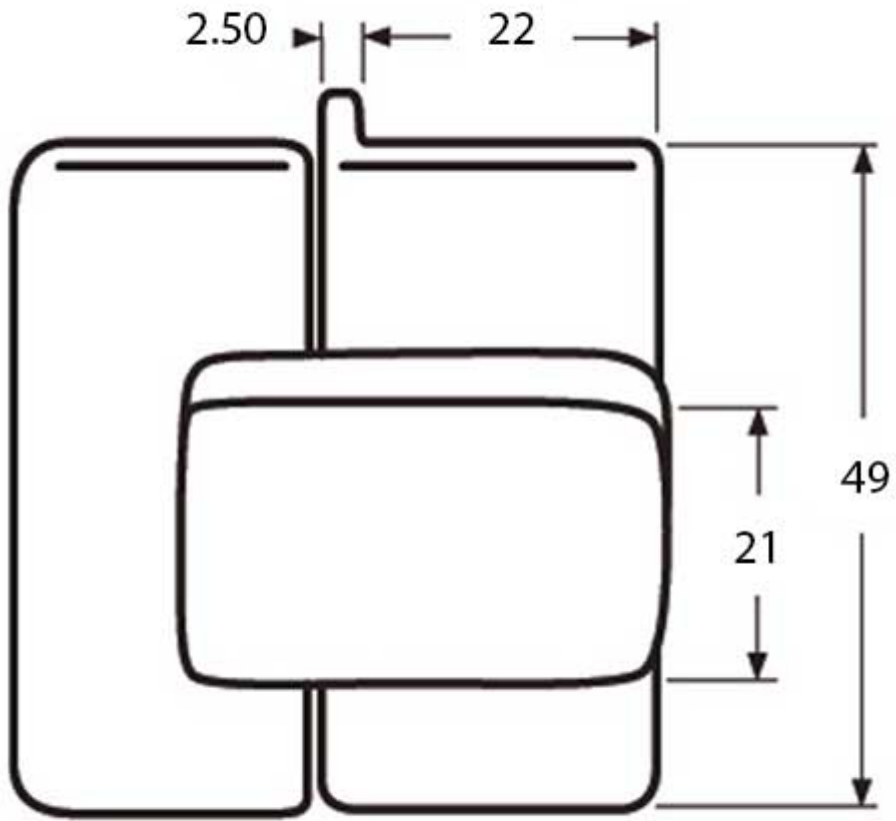
Short Description

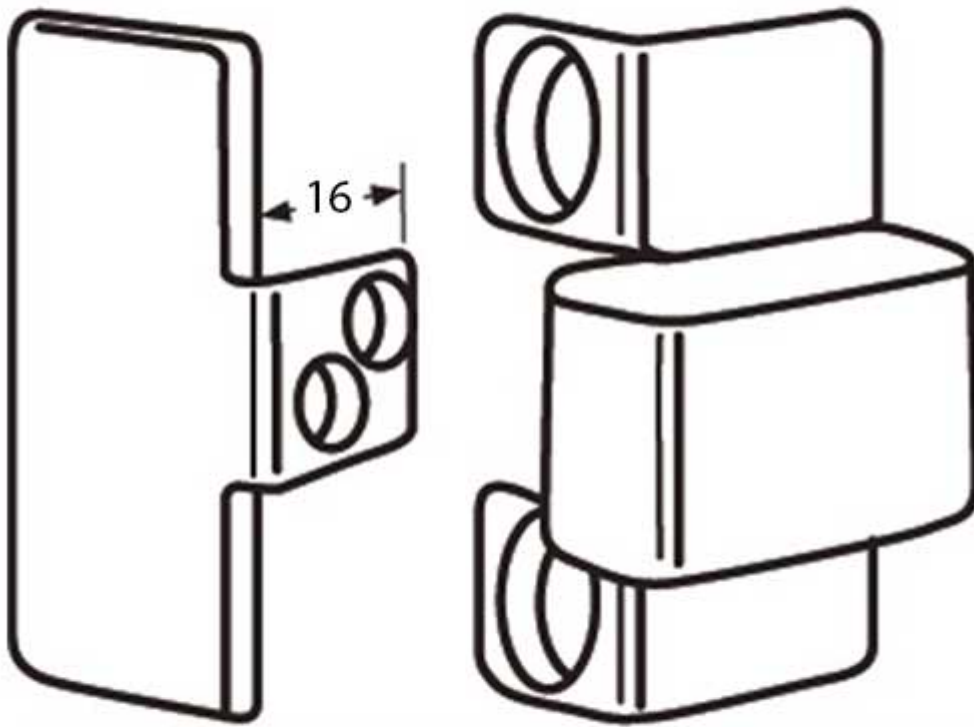
A 316-grade, stainless steel, cupboard latch with a hidden fastener for a sleek appearance. The unique design allows the knob to stay in a fixed 90° position once rotated.

Please note a minimum gap between doors / panels of 3mm is required.

Description

Dimensions





Additional Information

Finish	316 Stainless Steel
Weight (kg)	0.120000

