

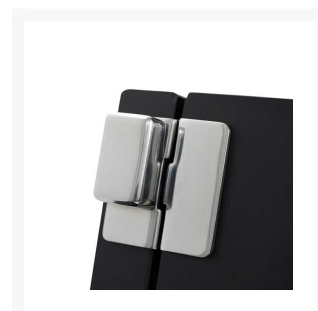
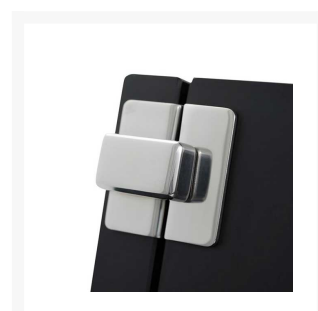


# Stainless Steel Rotary Cupboard Latch

**£36.83**

Excl. Tax: £30.69

## Product Images





## Short Description

---

### **A simple and elegant stainless steel cupboard and drawer latch with rotary knob design.**

A 316-grade, stainless steel, cupboard latch with a hidden fastener for a sleek appearance. The unique design allows the knob to stay in a fixed 90° position once rotated.

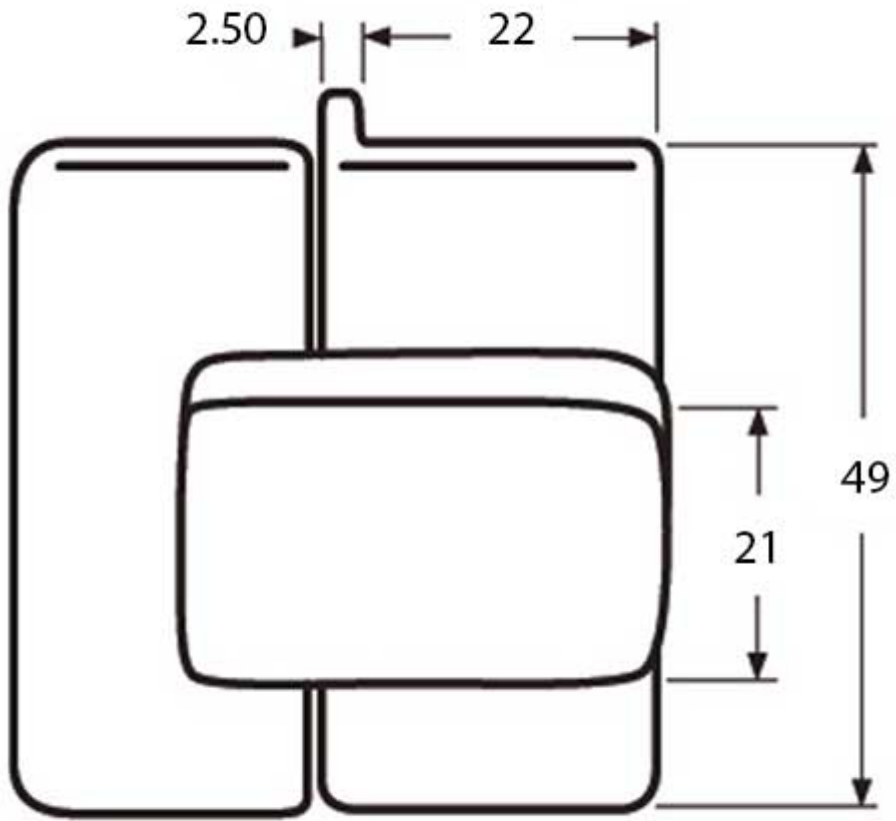
We recommend countersunk head screws DIN 7997 3.5 or 4.0mm or countersunk tapping screws DIN 7982 3.5 or 4.0mm.

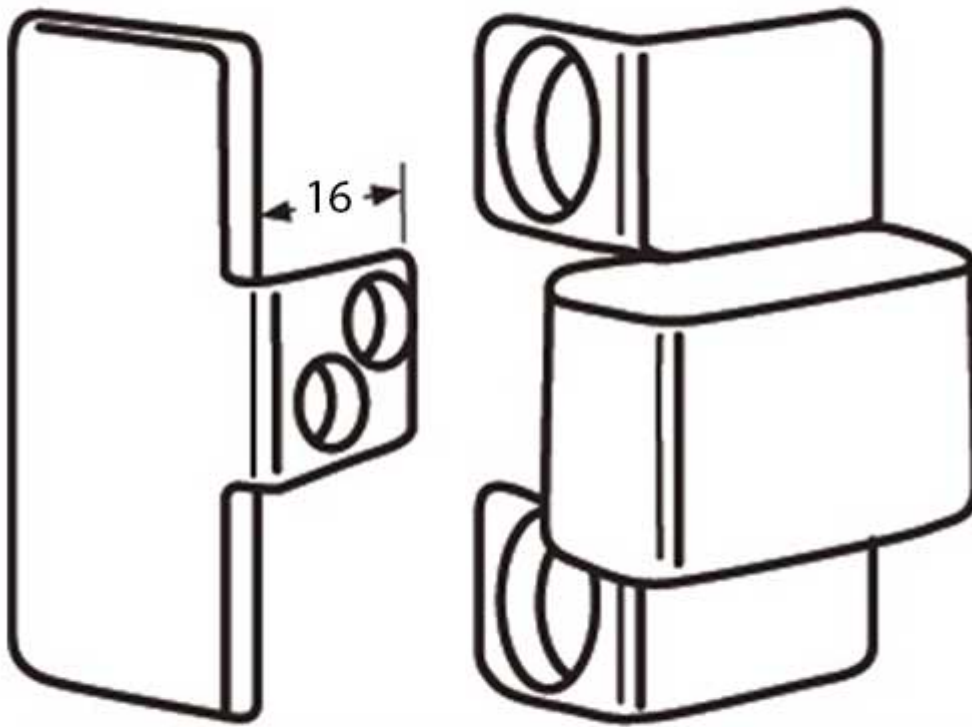
Please note a minimum gap between doors / panels of 3mm is required.

## Description

---

# Dimensions





## Additional Information

---

Height (mm)	49
Finish	316 Stainless Steel
Weight (kg)	0.120000

