



Stainless Steel Double Tail Hinge

From

£6.58

Excl. Tax: £5.48

Product Images



Short Description

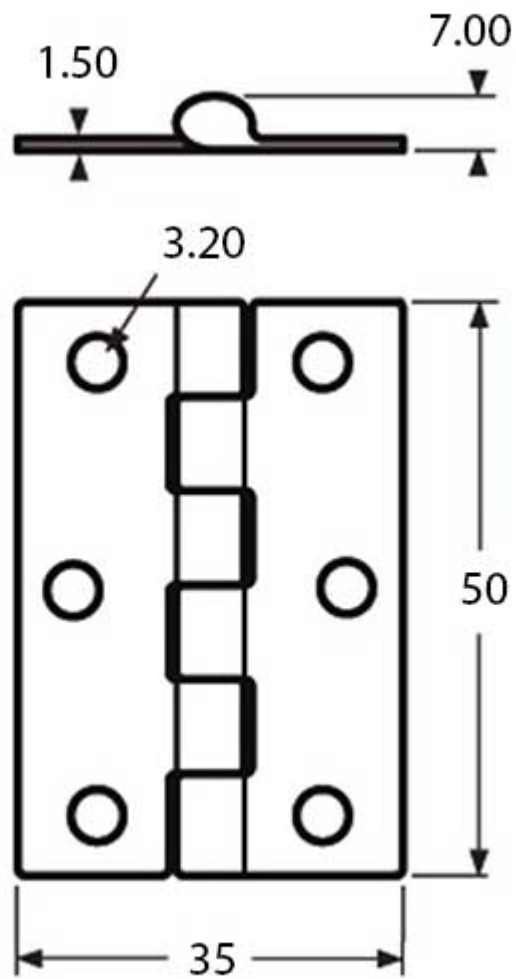
A 316-grade, stainless steel, double tail hinge. Available in three sizes.

Fixings sold separately and can be found in the related products section below.

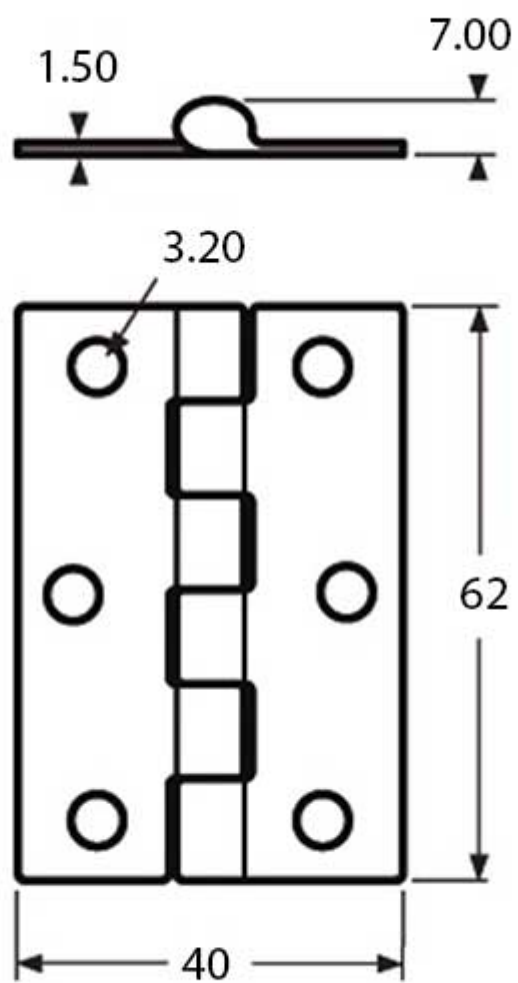
Description

Dimensions

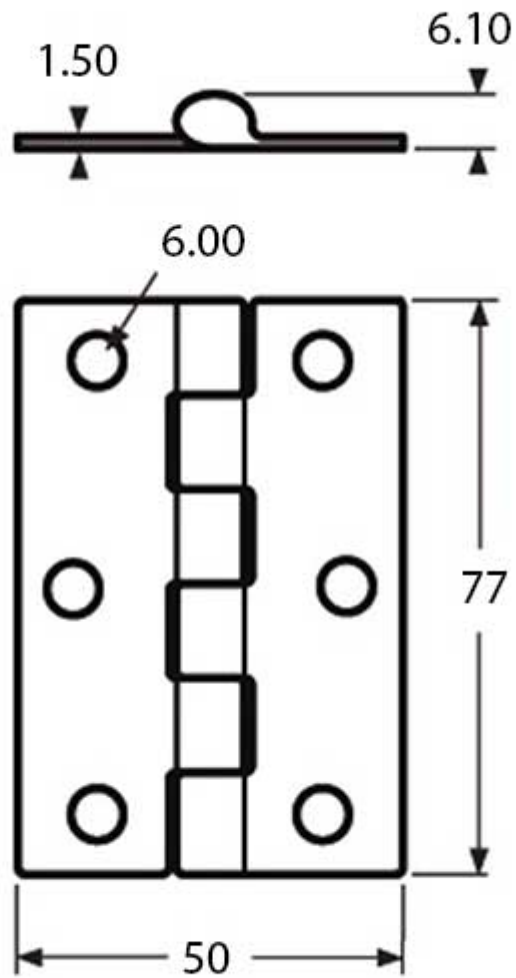
DE-76600SS



DE-76700SS



DE-76800SS



Additional Information

Hub Diameter (mm)	1.50
Finish	316 Stainless Steel

Product Options

Size:	35.00mm x 50.00mm
	40.00mm x 62.00mm
	50.00mm x 77.00mm

