



Stainless Steel Double Tail Hinge - 40.00mm x 62.00mm

£10.20

Excl. Tax: £8.50

Product Images



Short Description

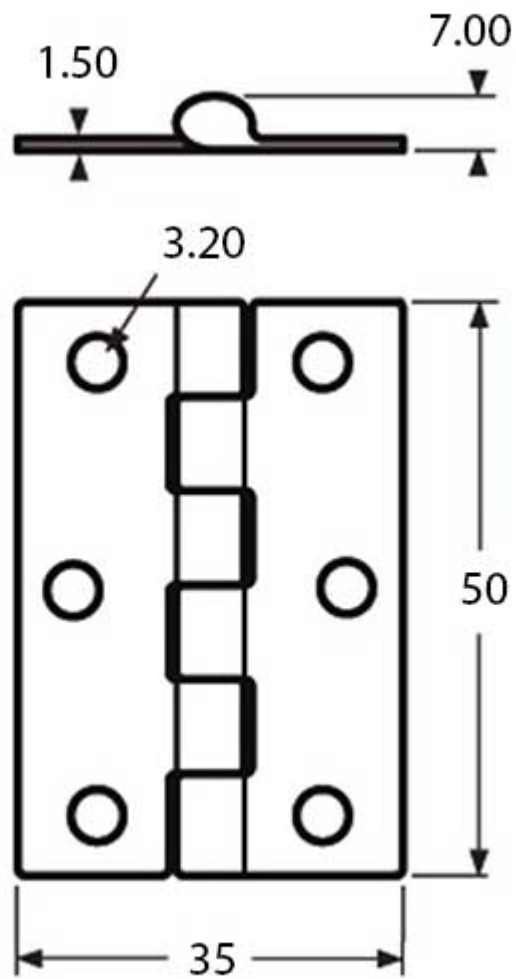
A 316-grade, stainless steel, double tail hinge.

Available in three sizes.

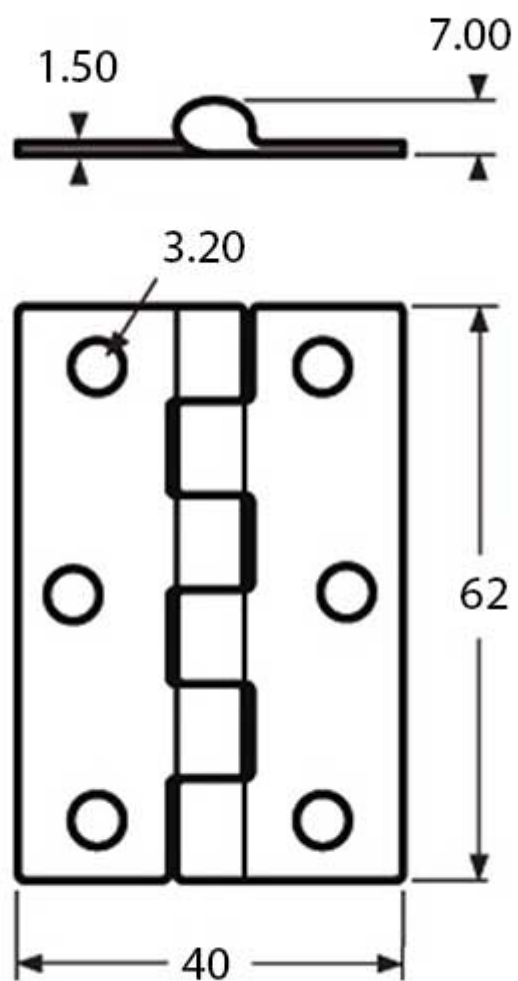
Description

Dimensions

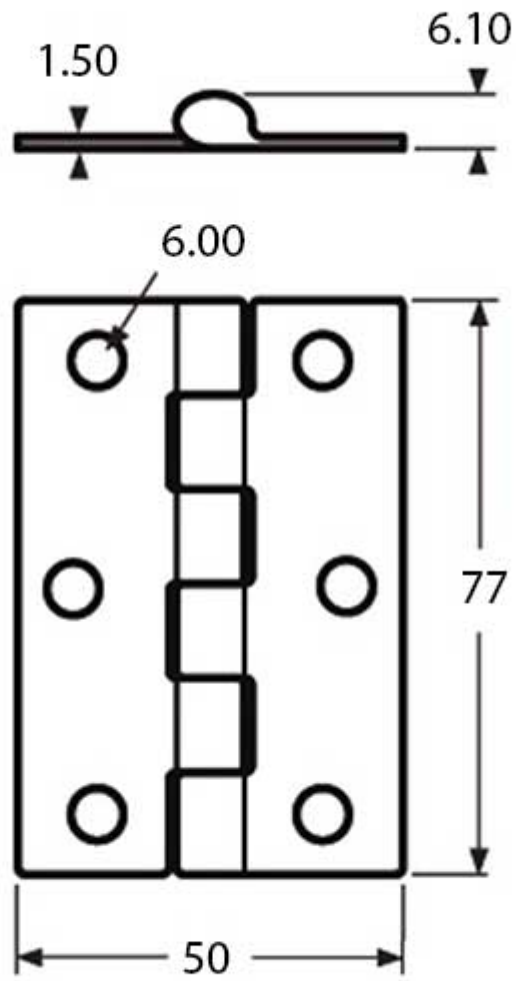
DE-76600SS



DE-76700SS



DE-76800SS



Additional Information

Finish	316 Stainless Steel
Weight (kg)	0.050000

