



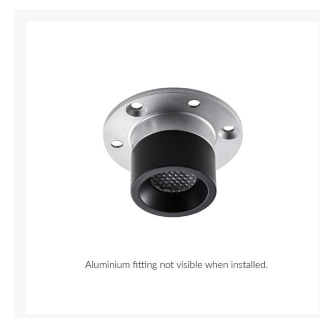
Eris Trimless Spotlight

From

£114.32

Excl. Tax: £95.27

Product Images



Short Description

A trimless compact downlight with focused lens, the perfect feature light.

The Eris spotlight packs a huge amount of technology into a very compact form. The Nichia™ LED chip produces a very high quality LED output with an average colour rendering index of 95.

The Eris model features the innovative FS SYSTEM fixing method which allows the product to be installed from the front of the panel and not the rear like many spotlights of this kind. A simple key can be used to

remove the product from the front for easy maintenance.

Eris can be fitted flush with the installation surface using the aluminum fixing ring method, or alternatively the bezel of the fitting can remain proud of the installation surface (if installed without the fixing ring).

- Interior spotlight with black bezel
- Galvanised brass face, painted
- Tempered glass lens
- Anodised aluminium heatsink
- Multiple lens angles available
- Available in numerous white colour temperatures
- CRI>90

Description





Heat Dissipation

Heat dissipation is key to the performance and longevity of LED lighting. Our Power LED modules have been carefully designed to ensure that the heat is taken away from the LED chips and dissipated through the incorporated heat sink designed into the product housing.

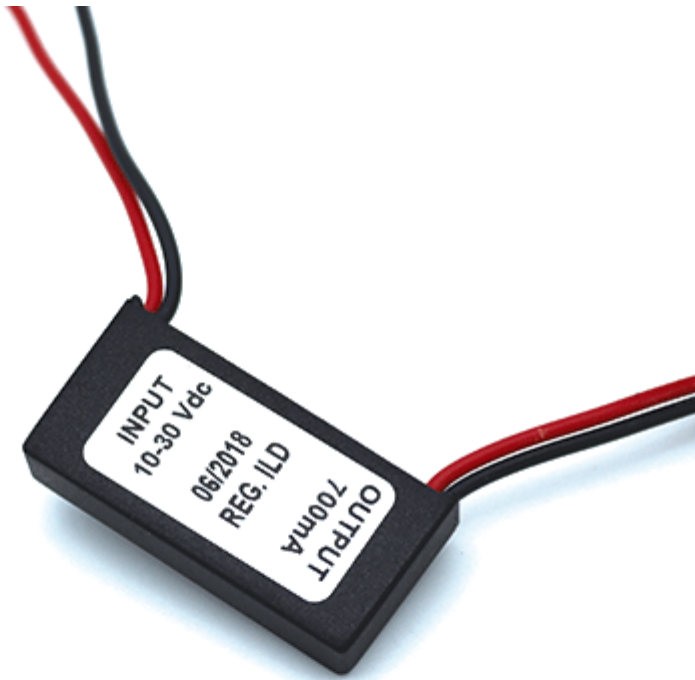
Circuit board temperatures are closely monitored during the development phase of each product and appropriate heat dissipation can then be accurately calculated to ensure that product will continue to perform for many years

Power Regulator

The 10-30Vdc power regulator is always a remote item on the power cable of the fitting. This offers numerous advantages over alternative methods used by competitor brands. Keeping the power regulator separate reduces heat build-up on the LED circuit board and therefore increases performance and longevity of the

LEDs.

Remote regulators can also be easily removed so that the product can be powered directly with the correct amperage, very useful for integration in some mains voltage applications.

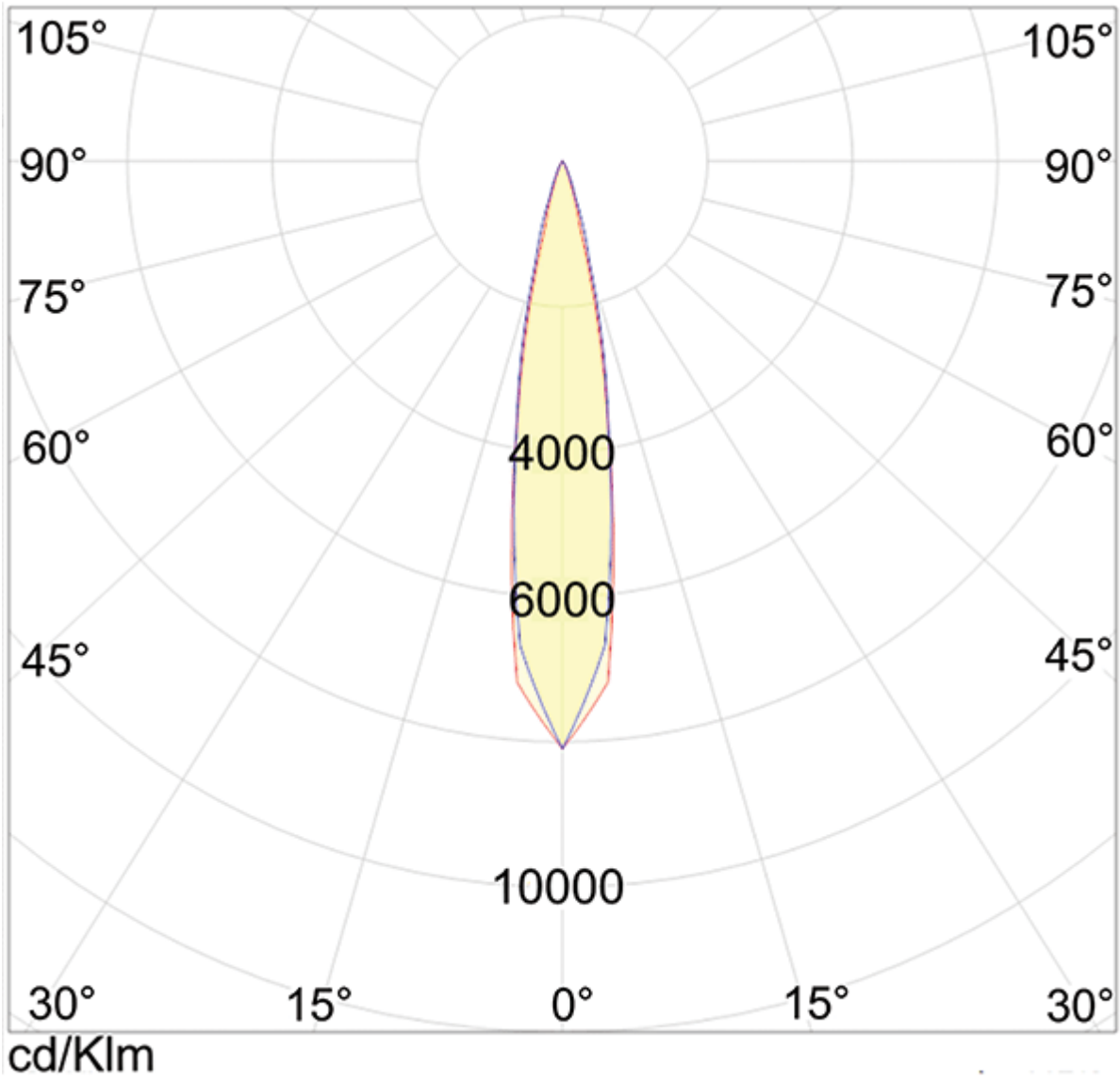




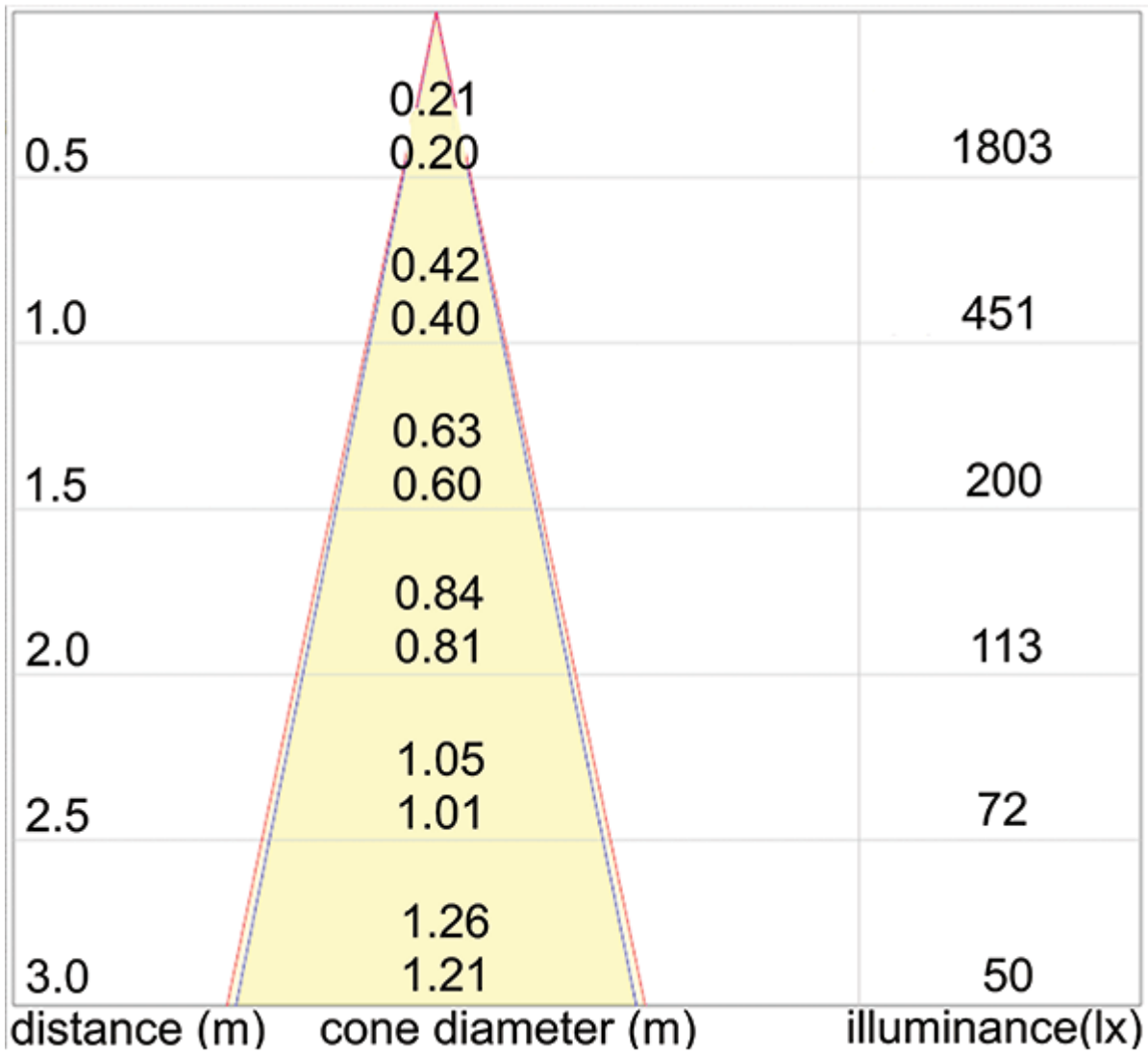
5240 - 13° Lens (.9N)

0.5	0.16 0.16	3562
1.0	0.32 0.33	890
1.5	0.49 0.49	396
2.0	0.65 0.66	223
2.5	0.81 0.82	142
3.0	0.97 0.98	99
distance (m)	cone diameter (m)	illuminance (m)

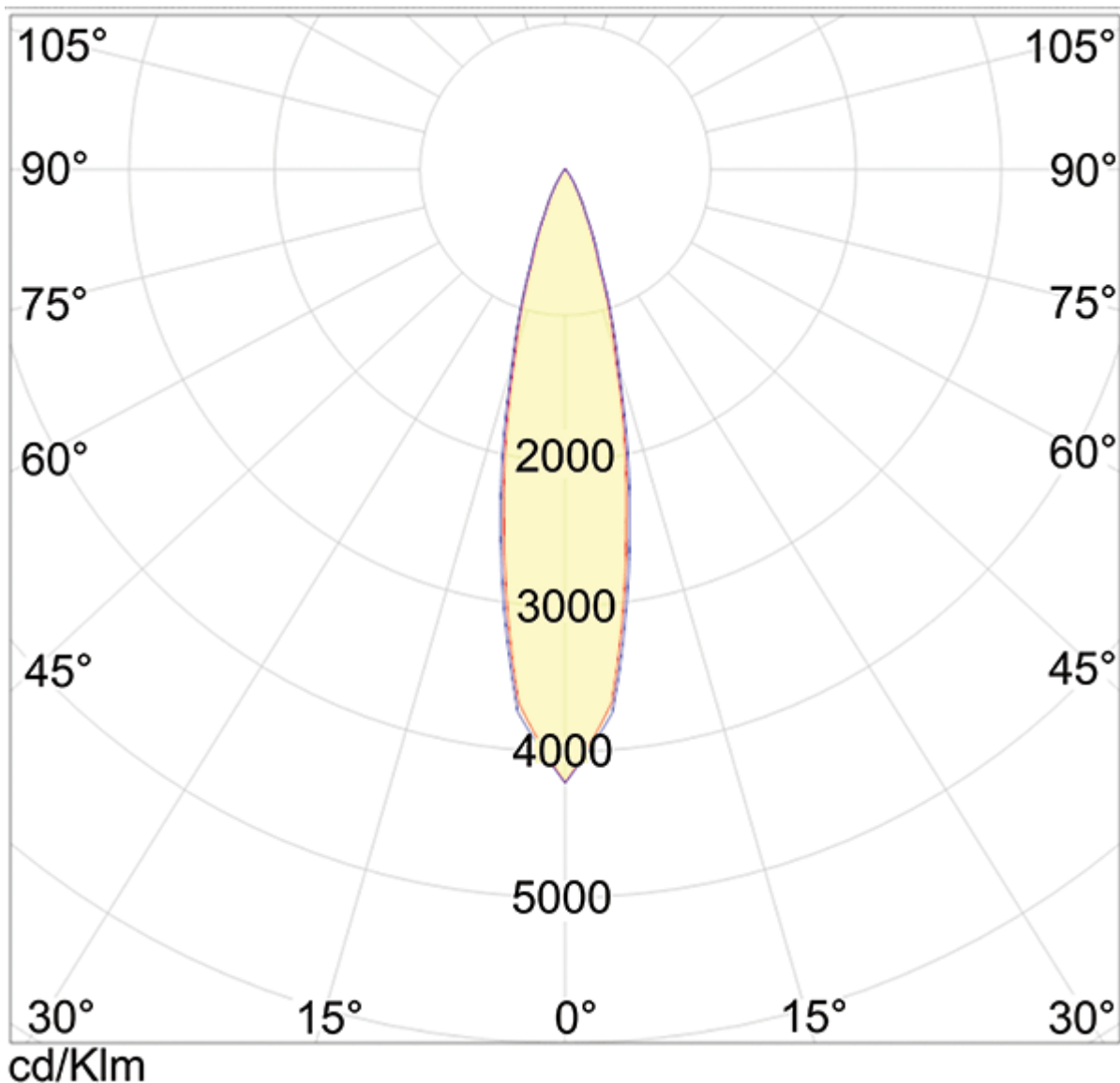
5240 - 13° Lens (.9N)



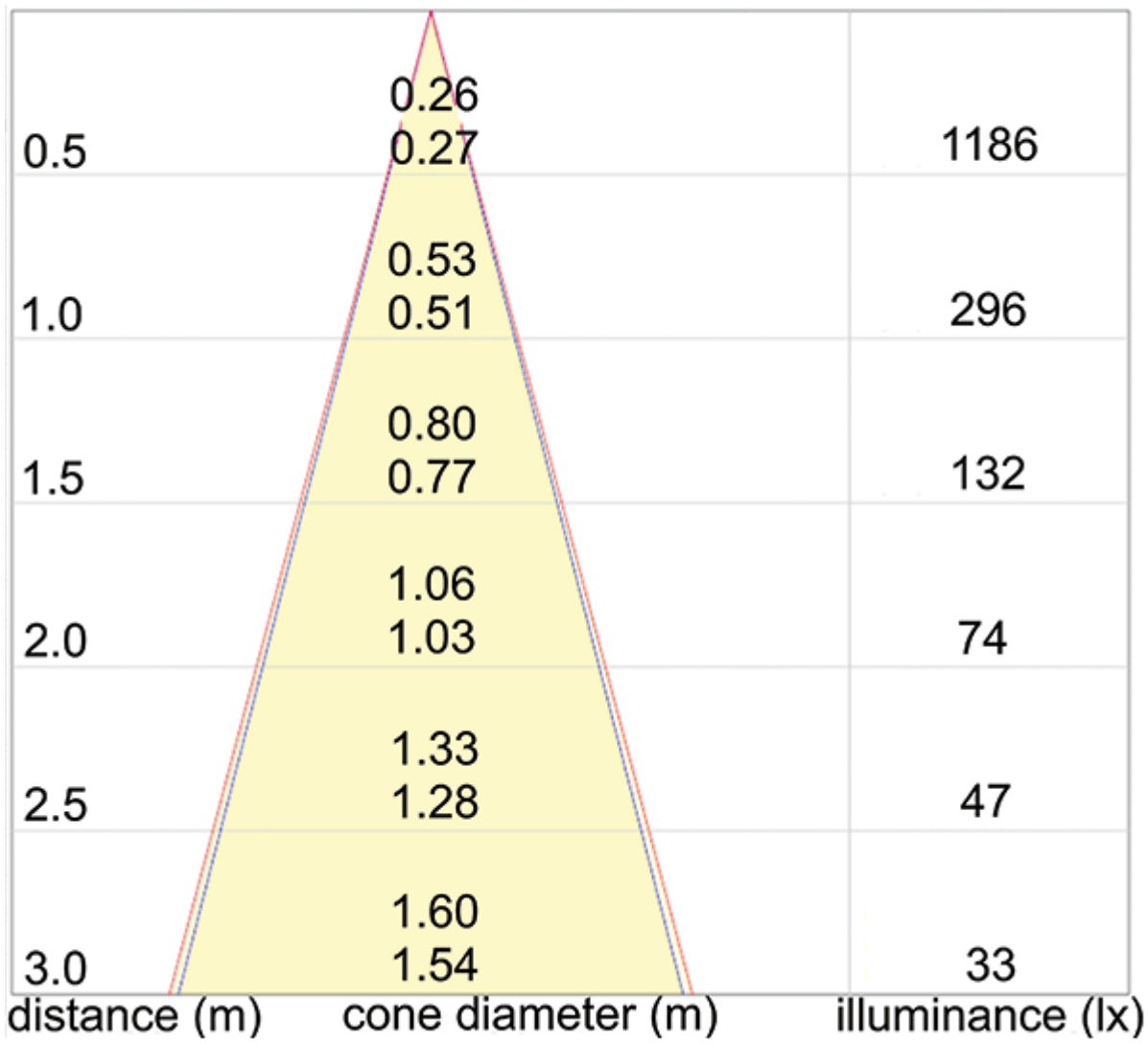
5240 - 23° Lens (.9M)



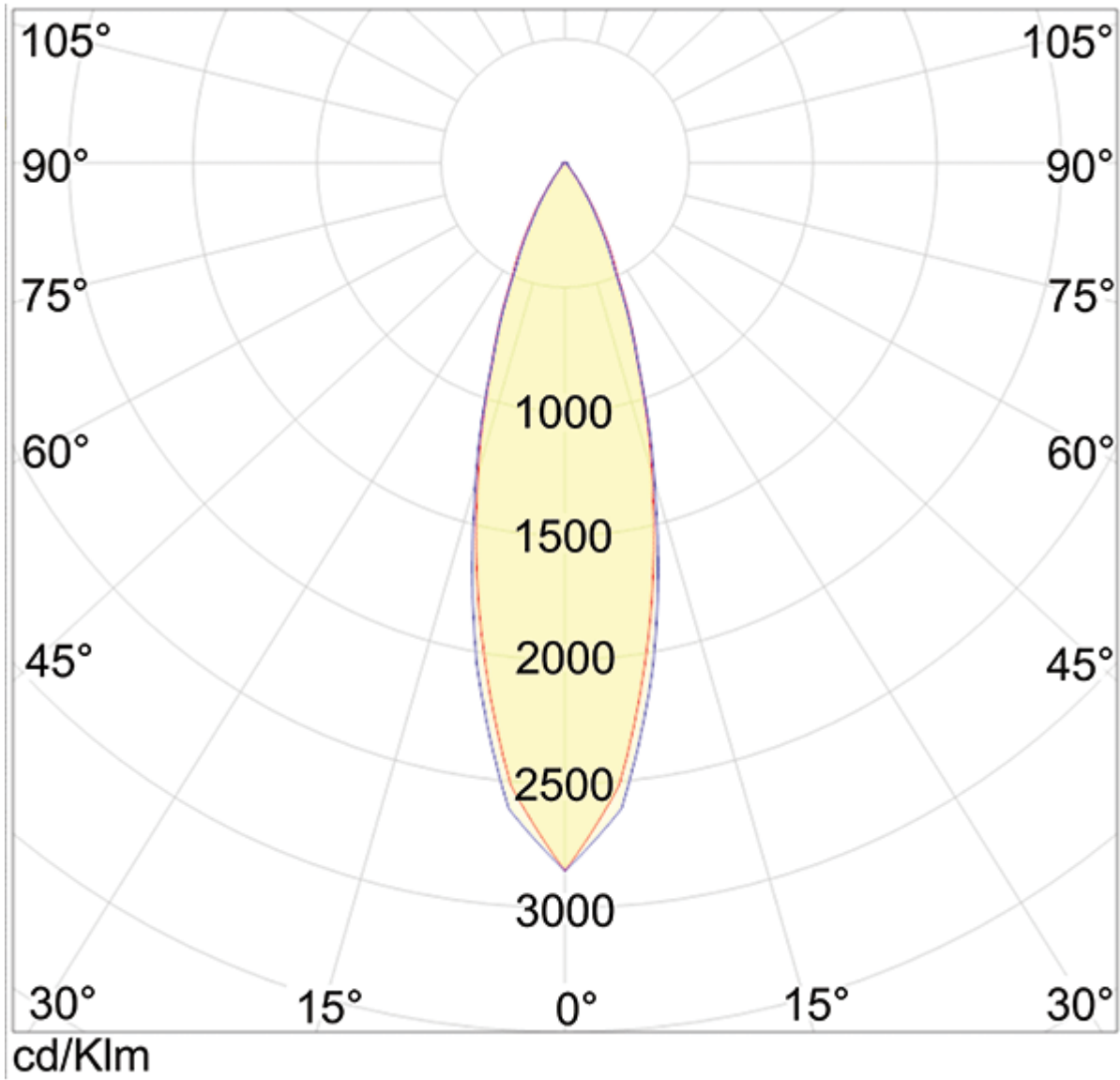
5240 - 23° Lens (.9M)



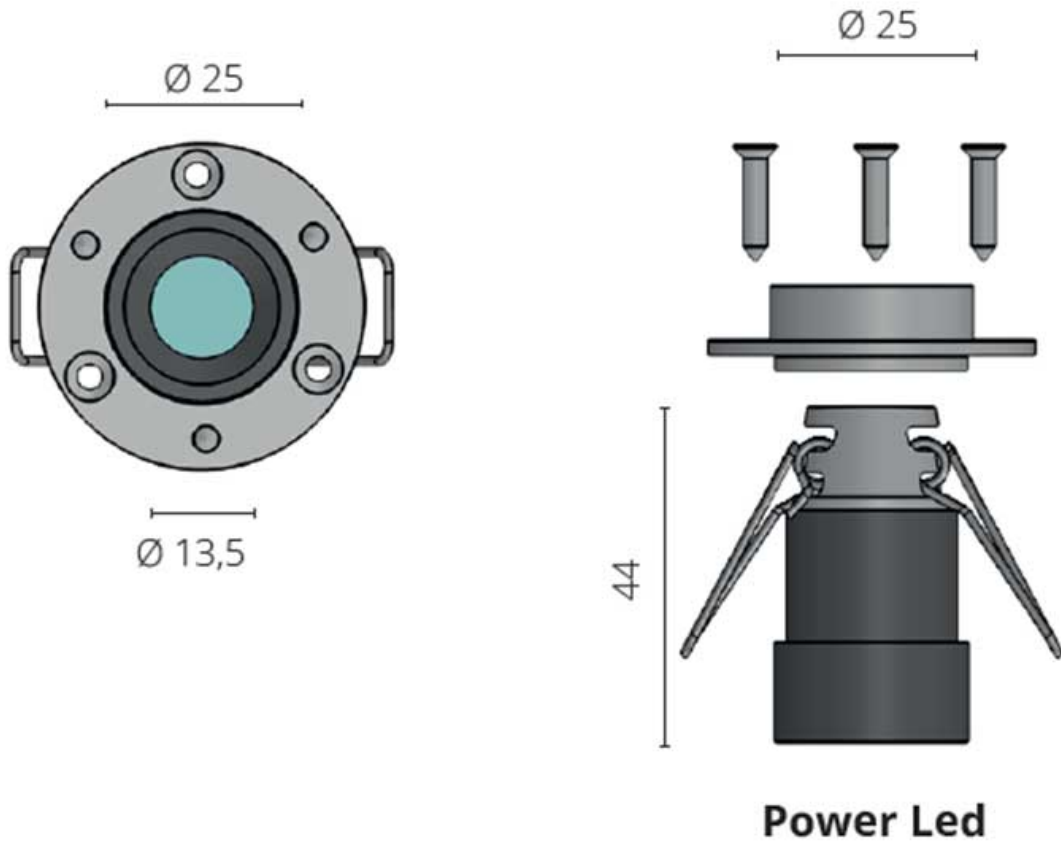
5240 - 31° Lens (.9)



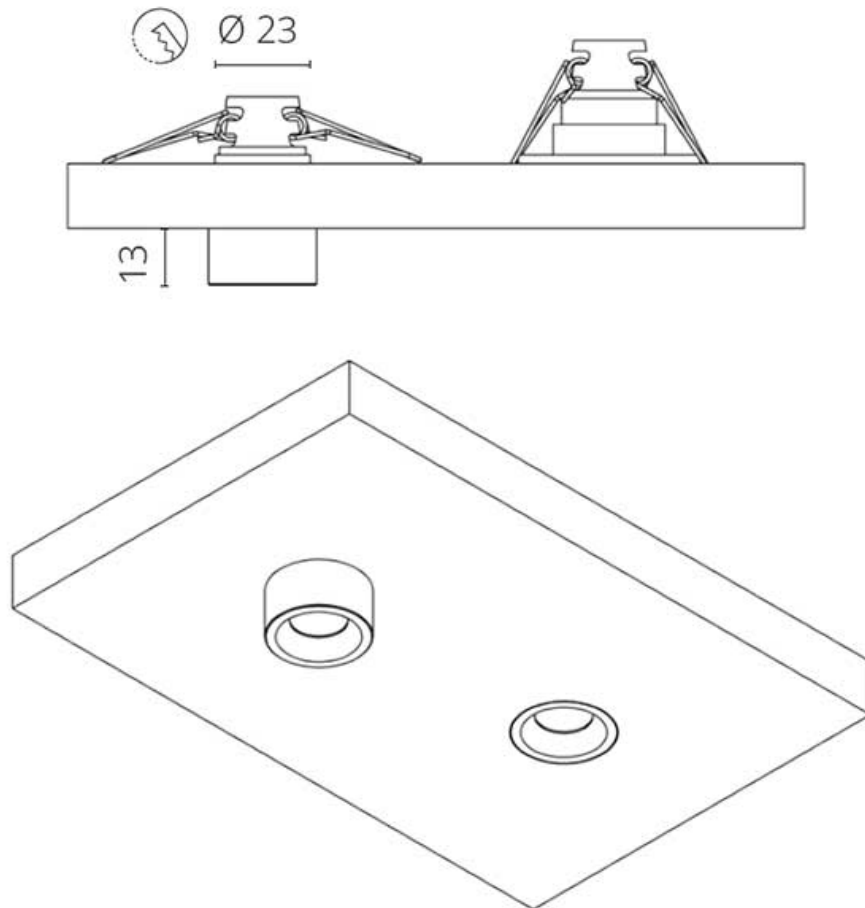
5240 - 31° Lens (.9)



Dimensions



Installation Options



Additional Information

Weight (kg)	0.100000
Manufacturer	Foresti & Suardi
Installation	Recessed
Light Element Type	Power LED
Wattage	3W
Input Voltage	10-30Vdc
IP Rating	IP20
Dimmer	Yes
Cut-out Size (mm)	Ø23.00

Product Options

LED Colour:	White 2700°K
	White 3200°K
	White 4000°K
Lens Angle:	13°
	23°
	31°

