



Eris-Top Twist II Ceiling Light

From
£249.10
Excl. Tax: £207.58

Product Images



Short Description

The Eris-Top Twist II is an adjustable interior spotlight with a brass body, chrome plated, with black galvanic paint at the end of the luminaire. Eris-Top Twist II is an extremely effective feature light and draws attention and focus to a particular point, ideal for application above dining tables or seating.

- Tubular LED luminaire
- Adjust at a point of 18° with a rotation of 360°
- Power LED module in 2700k, 3200k and 4000k, as well as red
- Two lens options
- Marine-grade construction
- 10-30Vdc input

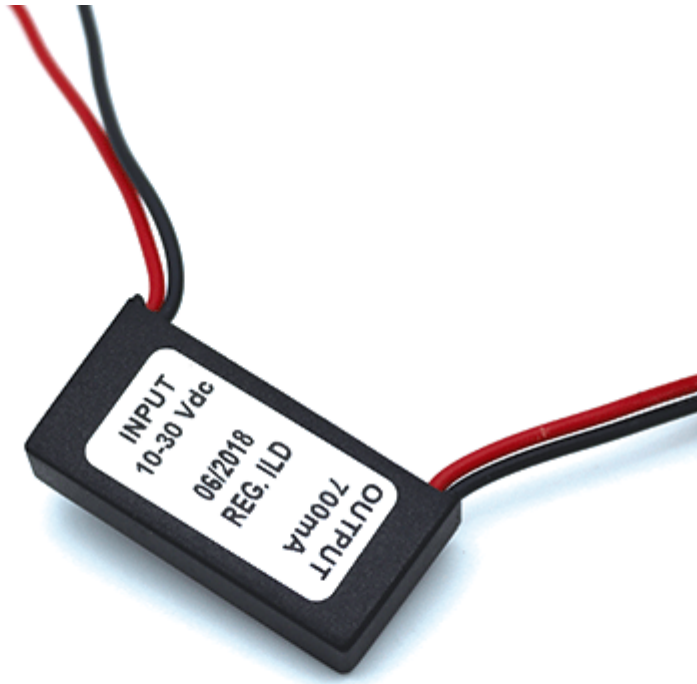
Description



Power Regulator

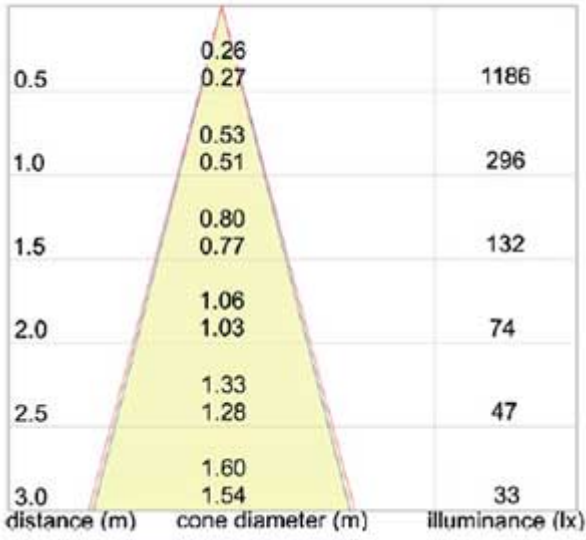
The 10-30Vdc power regulator is always a remote item on the power cable of the fitting. This offers numerous advantages over alternative methods used by competitor brands. Keeping the power regulator separate reduces heat build-up on the LED circuit board and therefore increases performance and longevity of the LEDs.

Remote regulators can also be easily removed so that the product can be powered directly with the correct amperage, very useful for integration in some mains voltage applications.

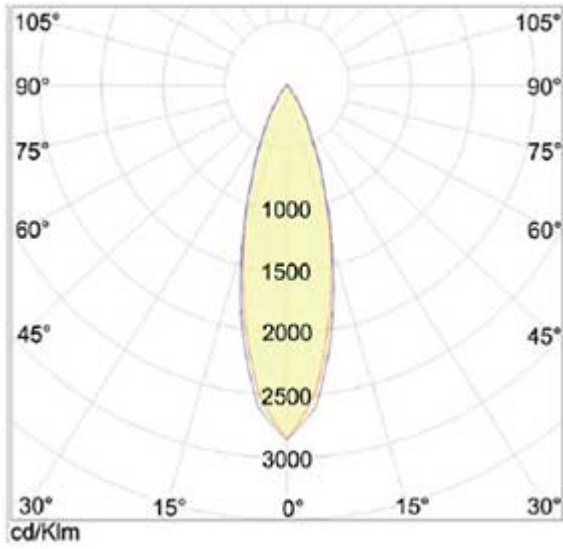




5244 - 31° Lens (.9)



5244 - 31° Lens (.9)



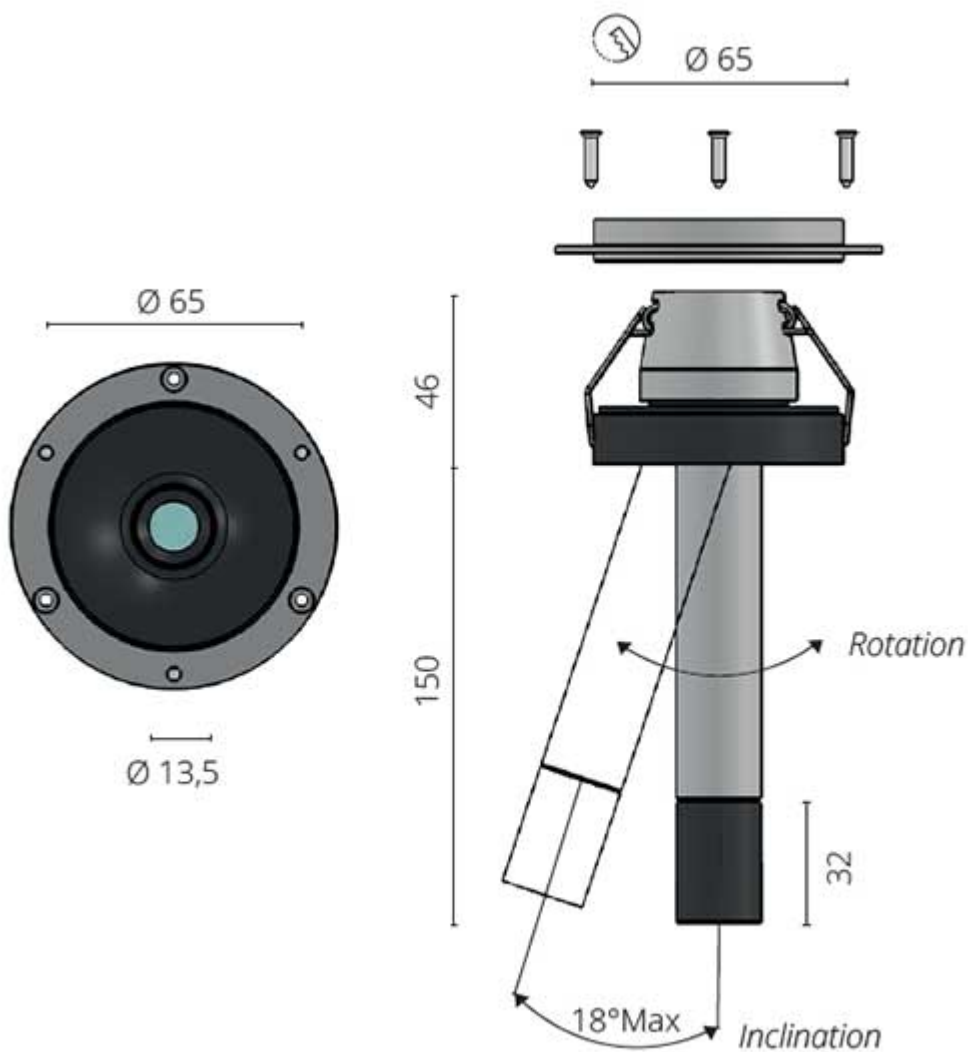
5244 - 13° Lens (.9N)

Photometric Data
Coming Soon

5244 - 13° Lens (.9N)

Photometric Data
Coming Soon

Dimensions



Installation Options

STANDARD



FS SYSTEM



13

Additional Information

| | |
|--------------------|------------------|
| Weight (kg) | 0.200000 |
| Manufacturer | Foresti & Suardi |
| Installation | Surface Mounted |
| Light Element Type | Power LED |
| Wattage | 3W |
| CRI | >90 |
| IP Rating | IP20 |
| Dimmer | Yes |

Product Options

| | |
|-------------|--------------|
| LED Colour: | White 2700°K |
| | White 3200°K |
| | White 4000°K |
| | Red |
| Lens Angle: | 13° |
| | 31° |

