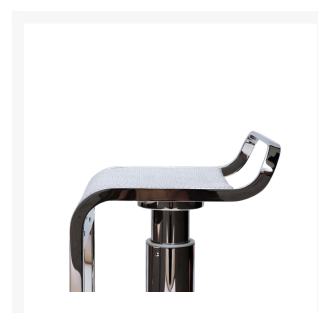




Stainless Steel Height Adjustable Bar Stool

Product Images



Short Description

These height adjustable, rotating bar stools are constructed to the highest possible standards. Each stool is hand crafted from 316-grade stainless steel and polished to a mirror finish.

The stools are produced to order by a team of true artisans in Italy, well versed in the manufacture of premium yacht accessories.

The seat bases can be upholstered in any outdoor fabric or vinyl material or alternatively they can be produced in teak. The stools are designed to be fixed to the deck but, on request, can also be made without fixing holes as a freestanding variant.

Description

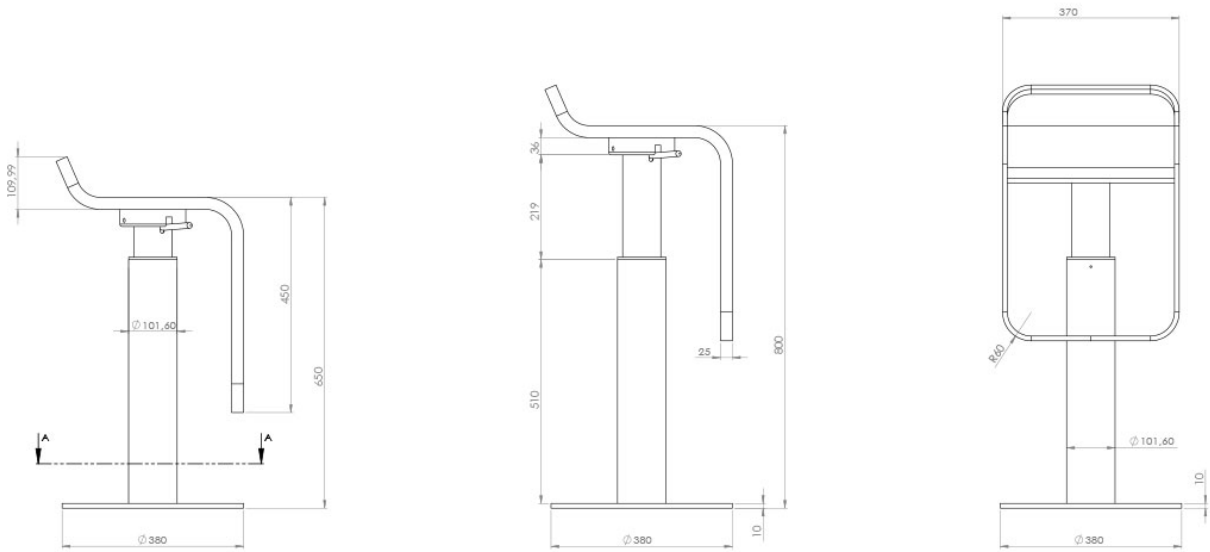


**Constructed to the highest possible standards.
Handcrafted from mirror polished, 316-grade stainless
steel.**

**Various seat base options including teak and upholstery
with exterior-grade materials.**



Dimensions



Additional Information

Finish

316 Stainless Steel

