

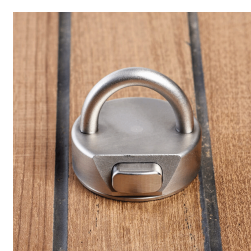


# Quick Lock Padeye - M32

**£180.08**

Excl. Tax: **£150.07**

## Product Images



## Short Description

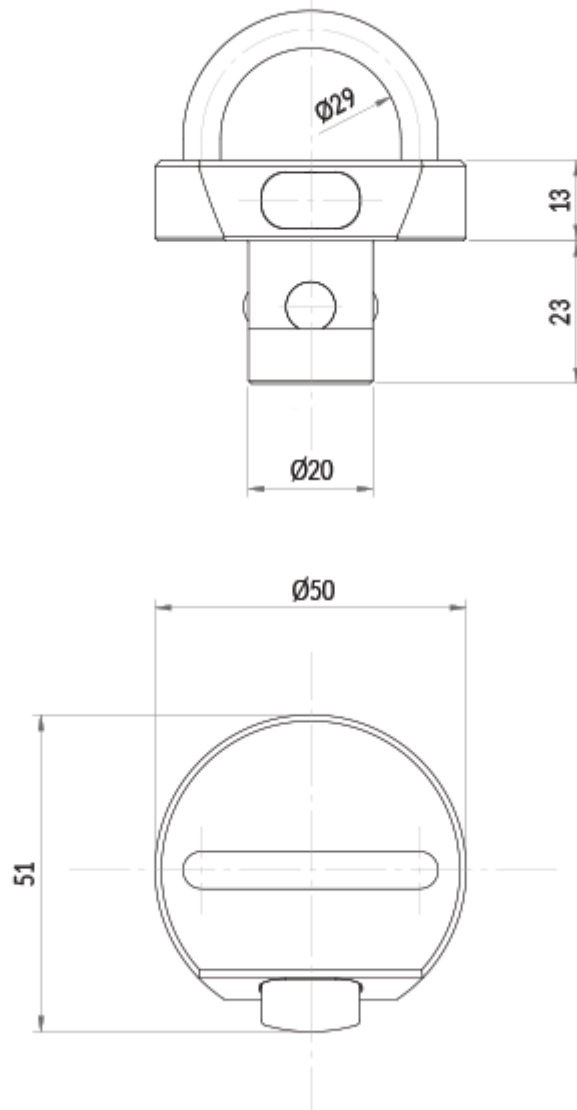
Our stainless steel *Quick Lock* padeye is an excellent solution for simple and strong removable padeyes. It is to be used in conjunction with the Q32 socket which is sold separately and can be found in the related products below.

The padeye is machined from 316-grade stainless steel and is supplied in a polished finish. On request, the product can be supplied in a satin stainless steel finish or machine from grade 5 titanium.

The Q32 padeye has a working load of 1200daN.

## Description

---









## Additional Information

---

Height (mm)	13.00
Diameter (mm)	49.00
Finish	316 Stainless Steel
Weight (kg)	0.190000

