

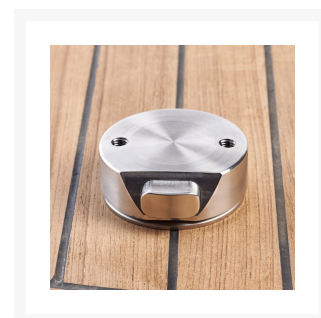


Quick Lock Threaded Mount - M32

£167.68

Excl. Tax: £139.73

Product Images



Short Description

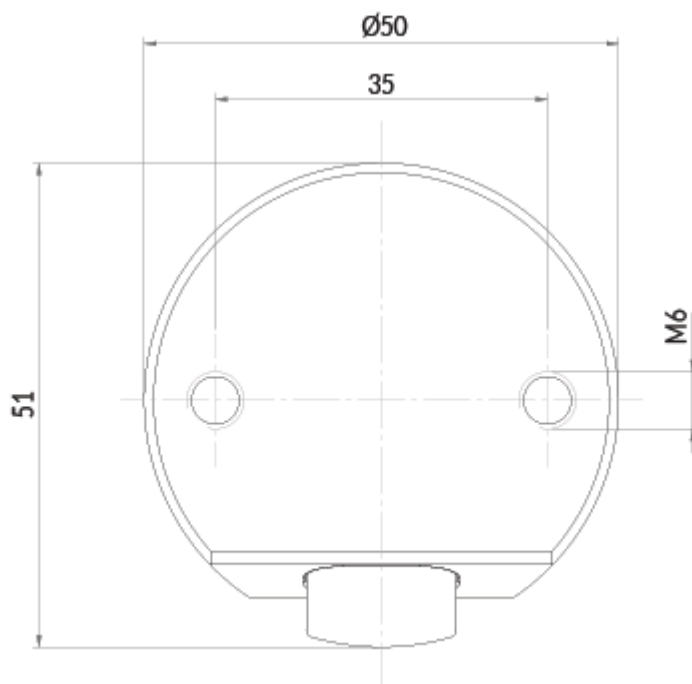
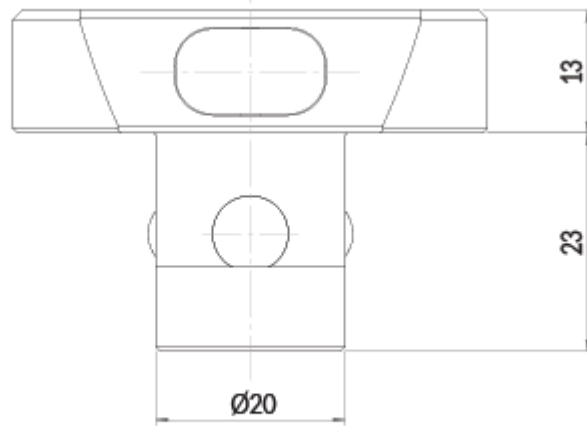
Our stainless steel *Quick Lock* threaded mount is the perfect way to make use of the *Quick Lock* system for your own application. Two threaded M6 fixing points allow an endless number of possible uses. It is to be used in conjunction with the Q32 socket which is sold separately and can be found in the related products below.

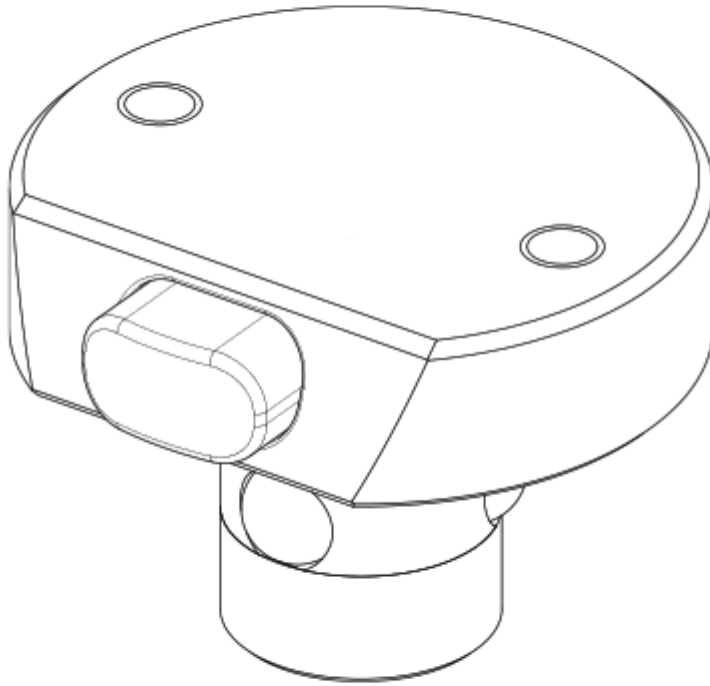
The male mounting plug is machined from 316-grade stainless steel and is supplied in a polished finish. On request, the product can be supplied in a satin stainless steel finish or machine from grade 5 titanium.

The Q32 threaded mount has a working load of 1300daN.

Description

Quick Lock Threaded Mount





Additional Information

Height (mm)	13.00
Diameter (mm)	49.00
Stud Fixing	M6
Finish	316 Stainless Steel
Weight (kg)	0.15000

