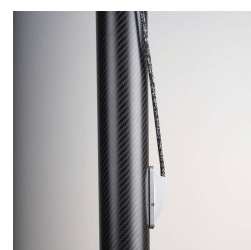
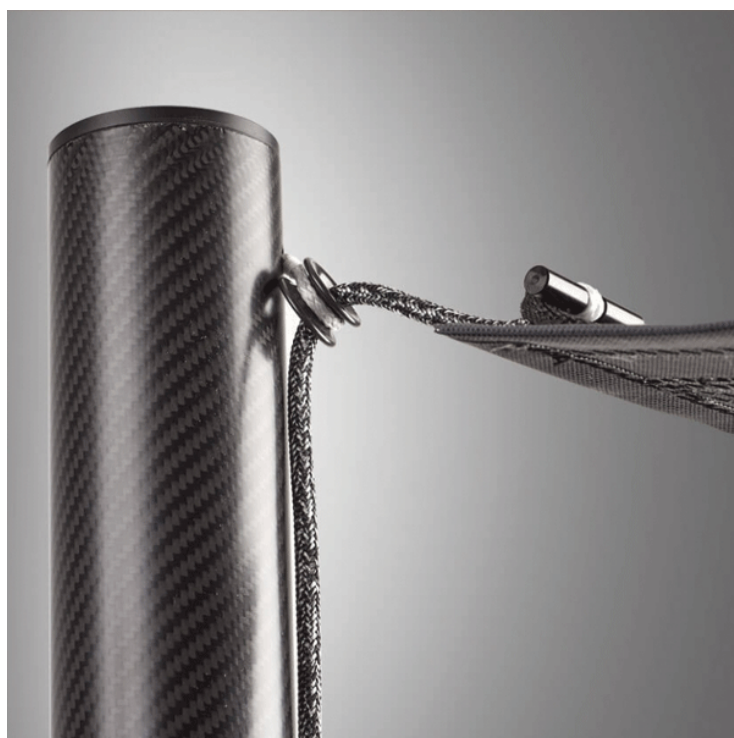




Fixed Height Ø45mm Carbon Fibre Removable Sun Awning Pole

From
£711.17
Excl. Tax: £592.64

Product Images



Short Description

A premium fixed height carbon fibre removable awning pole. This lightweight and strong awning pole is designed for use with the IP45 base (sold separately). The pole is simply wound into the socket when a

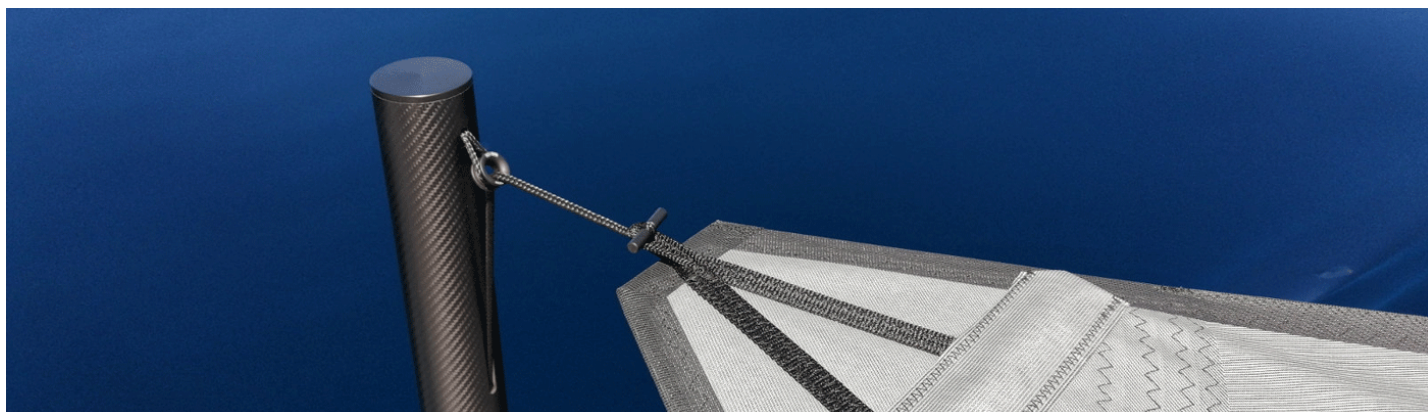
temporary sun awning is required, the fabric can then be quickly fastened to the pulley system and tensioned using the Clamcleat® device.

The system features plenty of neat design innovations such as the ability to rotate the pole once installed without unwinding the thread. The pulley rope is also hidden in the top section of the pole, only exiting the tube at the Clamcleat® tensioner. Finally, the compatible deck socket has an extremely shallow and waterproof design meaning that the poles can be easily placed, even in locations with little depth below the installation surface. No drainage is required for the socket.

The poles are supplied in a matt carbon finish with stainless steel components.

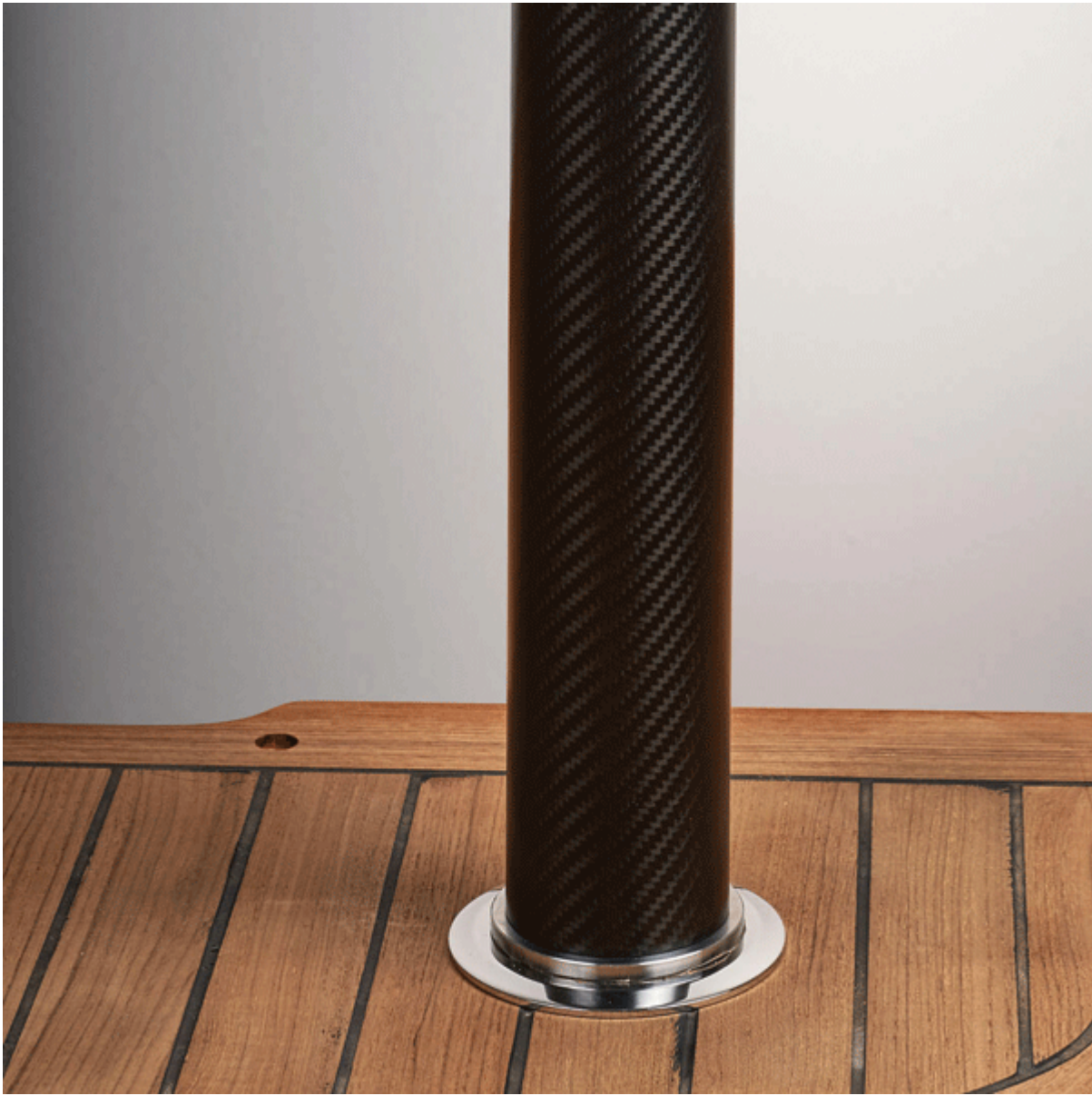
Description

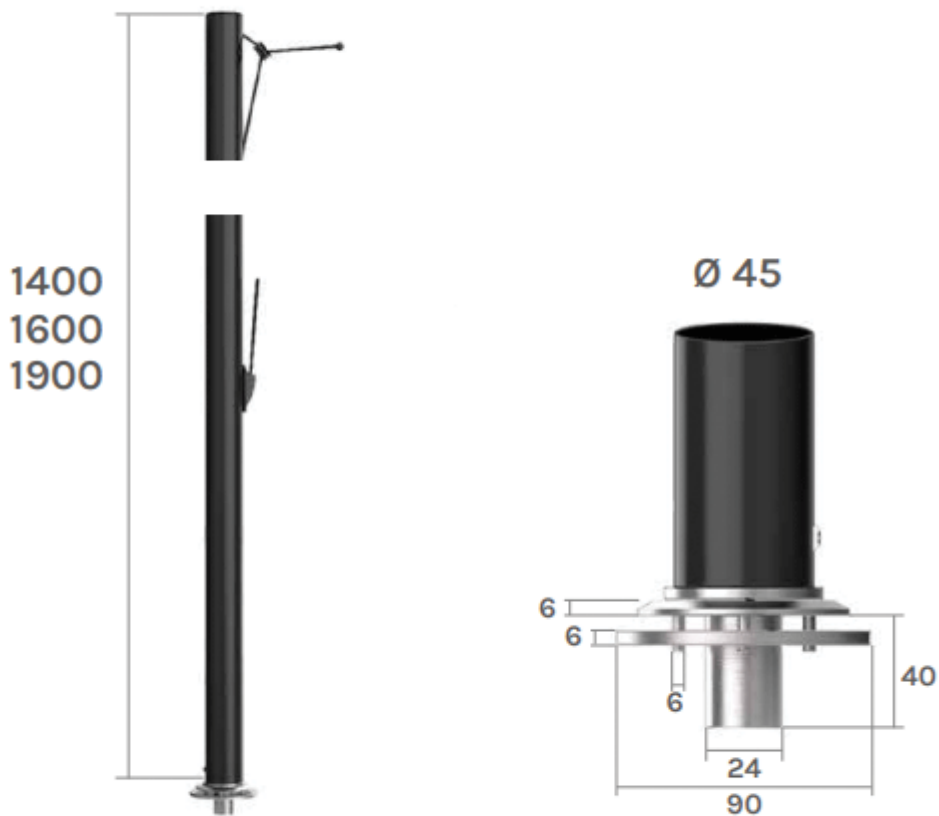
Fixed Height Removable Awning System











Pre-preg carbon fibre poles

Storage bag included

Clear UV protective coating

Custom colour available on request

Lightweight and strong

Ø45mm pole system, Ø66mm and Ø86mm also available

Internal pulley with Dyneema® rope and low friction rings

Patented deck base with backing plate

Double attachment available on request





Additional Information

Weight (kg)	1.300000
Pole Diameter	45.00
Finish	316 Stainless Steel & Matt Carbon Fibre

Product Options

Pole Height:	1400.00
	1600.00
	1900.00

