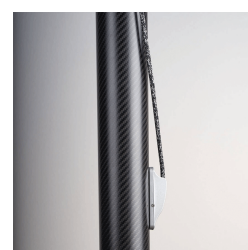
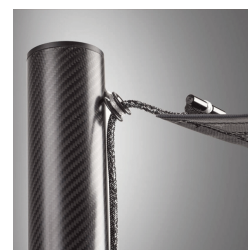




Fixed Height Ø66mm Carbon Fibre Removable Sun Awning Pole

From
£1,073.30
Excl. Tax: £894.42

Product Images





Short Description

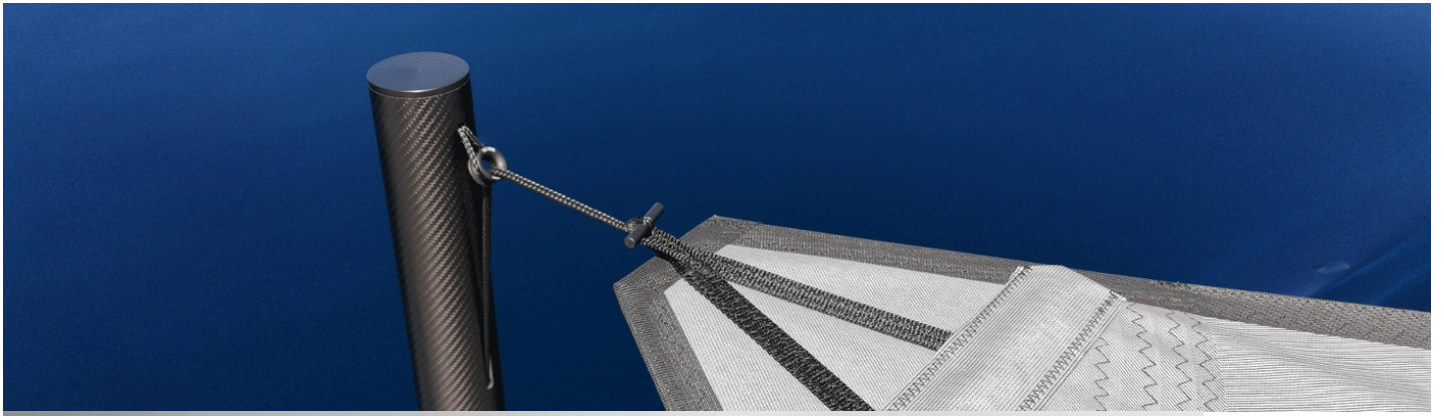
A premium fixed height carbon fibre removable awning pole. This lightweight and strong awning pole is designed for use with the IP66 base (sold separately). The pole is simply wound into the socket when a temporary sun awning is required, the fabric can then be quickly fastened to the pulley system and tensioned using the Clamcleat® device.

The system features plenty of neat design innovations such as the ability to rotate the pole once installed without unwinding the thread. The pulley rope is also hidden in the top section of the pole, only exiting the tube at the Clamcleat® tensioner. Finally, the compatible deck socket has an extremely shallow and waterproof design meaning that the poles can be easily placed, even in locations with little depth below the installation surface. No drainage is required for the socket.

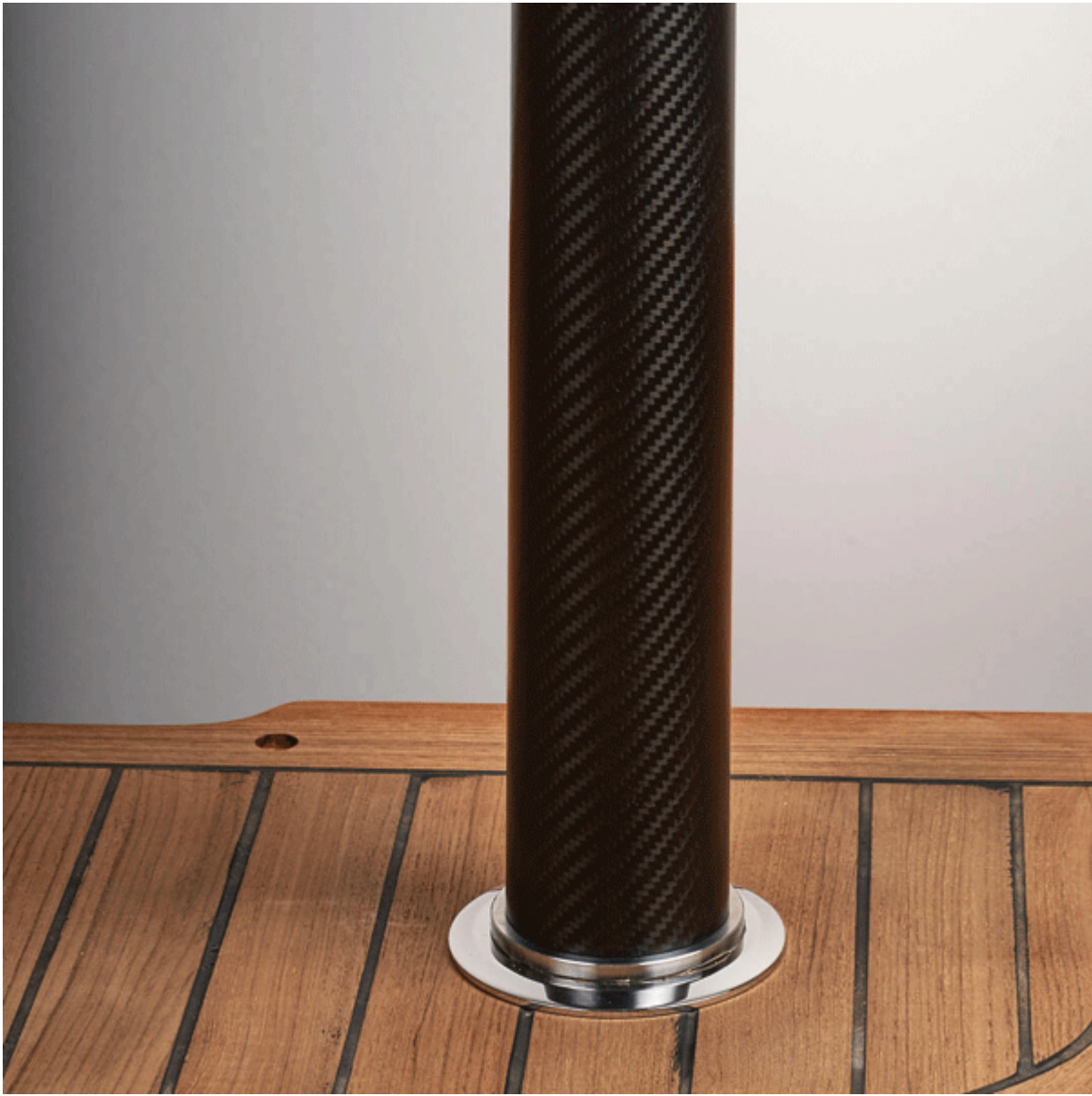
The poles are supplied in a matt carbon finish with stainless steel components.

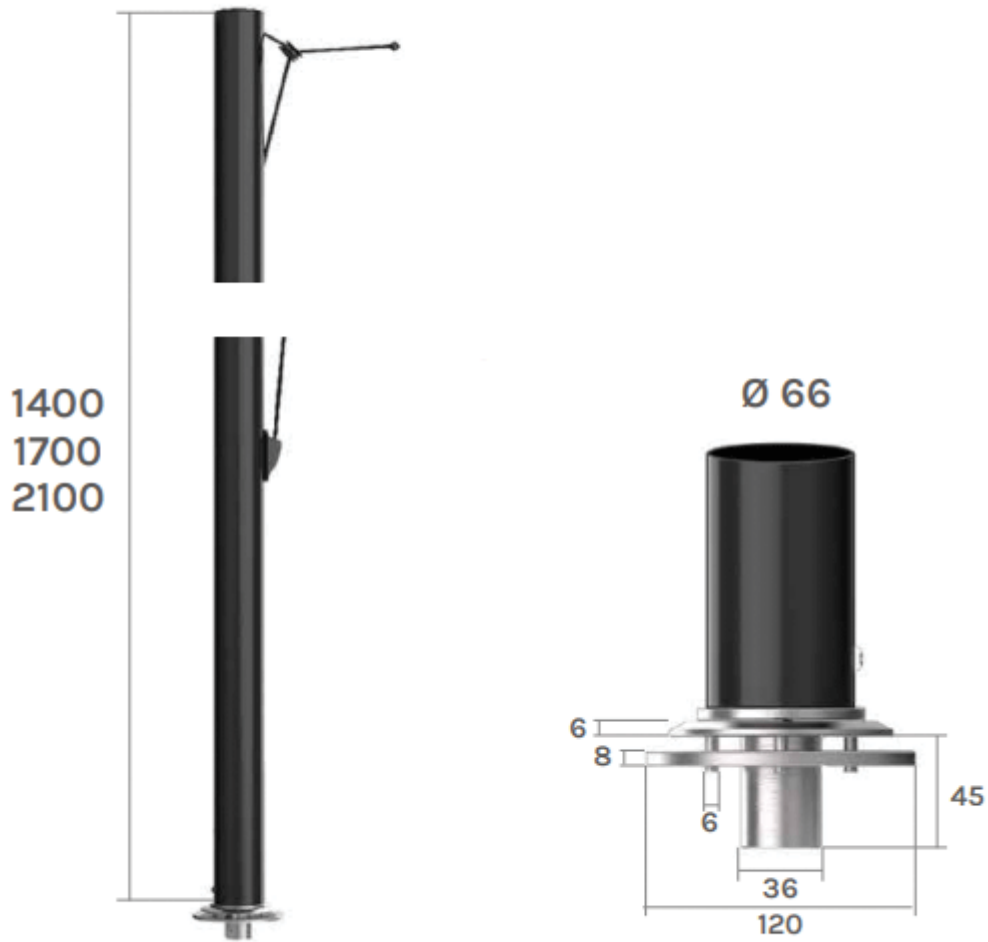
Description

Fixed Height Removable Awning System









Pre-preg carbon fibre poles

Storage bag included

Clear UV protective coating

Custom colour available on request

Lightweight and strong

Ø66mm pole system, Ø45mm and Ø86mm also available

Internal pulley with Dyneema® rope and low friction rings

Patented deck base with backing plate

Double attachment available on request





Additional Information

Weight (kg)	2.700000
Pole Diameter	66.00
Finish	316 Stainless Steel & Matt Carbon Fibre

Product Options

Pole Height:	1400.00
	1700.00
	2100.00
Version:	Single Rig
	Dual Rig

