



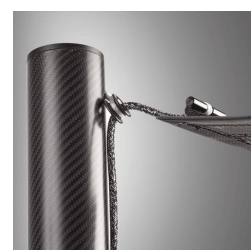
# Fixed Height Ø86mm Carbon Fibre Removable Sun Awning Pole

From

**£2,096.81**

Excl. Tax: £1,747.34

## Product Images





## Short Description

---

A premium fixed height carbon fibre removable awning pole. This lightweight and strong awning pole is designed for use with the IP86 base (sold separately). The pole is simply wound into the socket when a temporary sun awning is required, the fabric can then be quickly fastened to the pulley system and tensioned using the Clamcleat® device.

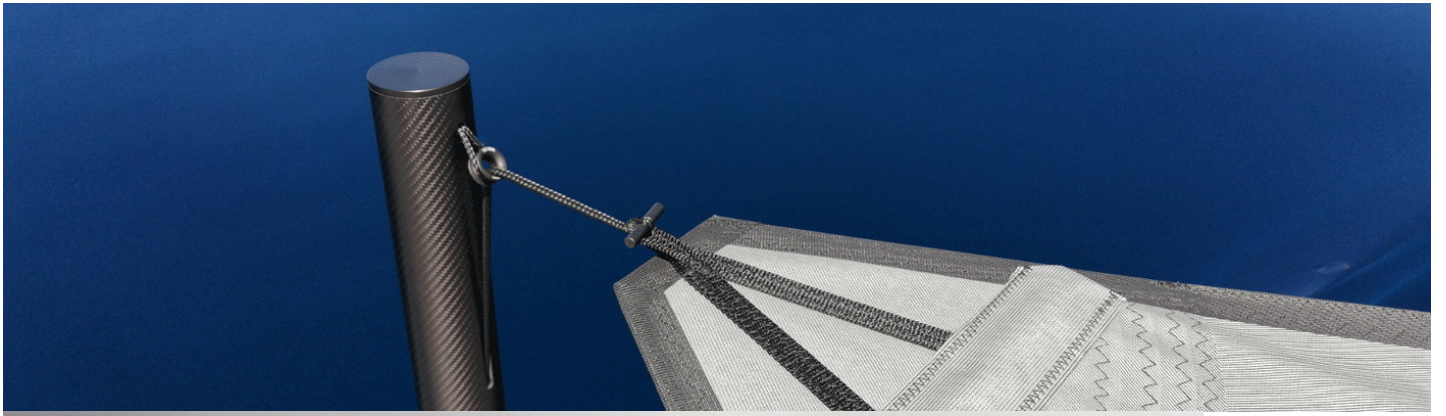
The system features plenty of neat design innovations such as the ability to rotate the pole once installed without unwinding the thread. The pulley rope is also hidden in the top section of the pole, only exiting the tube at the Clamcleat® tensioner. Finally, the compatible deck socket has an extremely shallow and waterproof design meaning that the poles can be easily placed, even in locations with little depth below the installation surface. No drainage is required for the socket.

The poles are supplied in a matt carbon finish with stainless steel components.

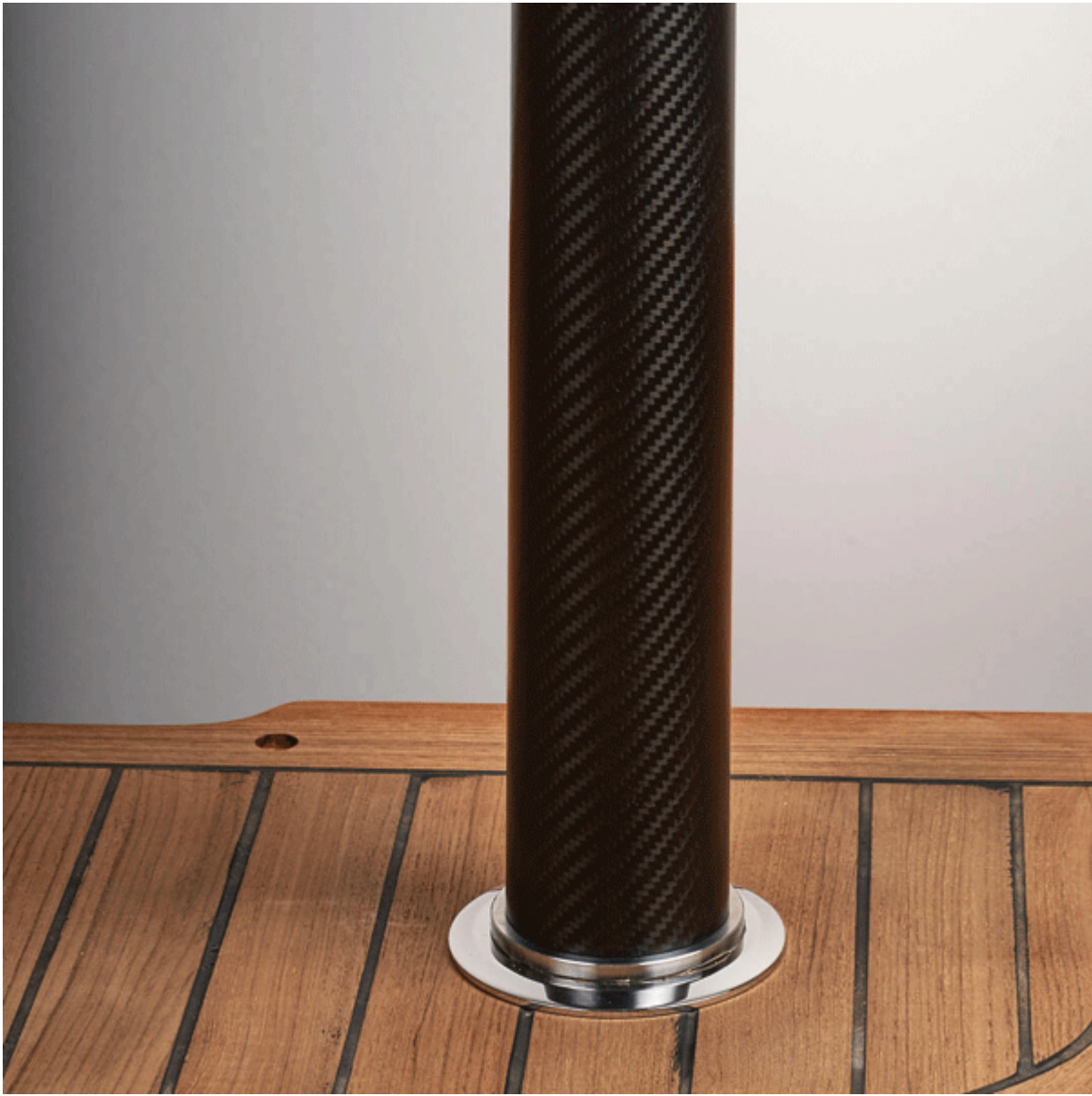
## Description

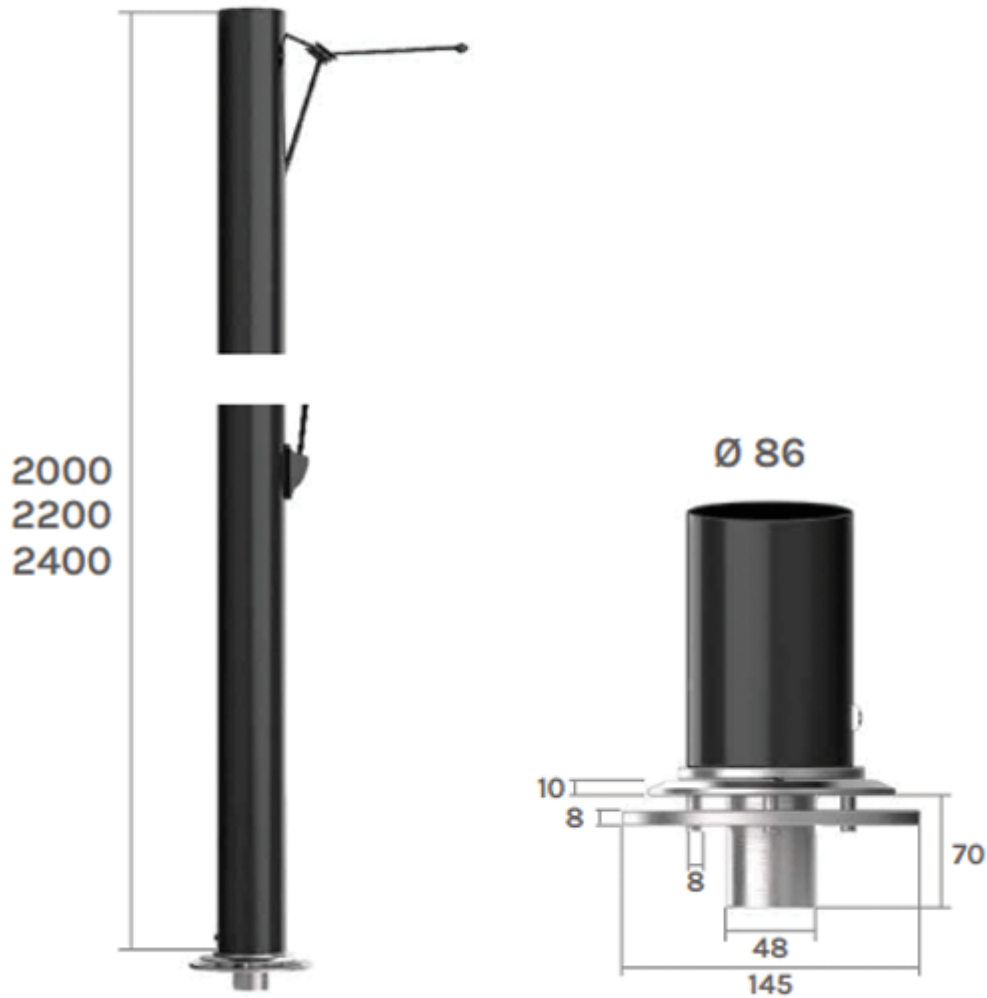
---

# Fixed Height Removable Awning System









Pre-preg carbon fibre poles

Storage bag included

Clear UV protective coating

Custom colour available on request

Lightweight and strong

Ø86mm pole system, Ø45mm and Ø66mm also available

Internal pulley with Dyneema® rope and low friction rings

Patented deck base with backing plate

Double attachment available on request





## Additional Information

---

Weight (kg)	5.300000
Pole Diameter	86.00
Finish	316 Stainless Steel & Matt Carbon Fibre



## Product Options

---

Pole Height:	2000.00
	2200.00
	2400.00
Version:	Single Rig
	Dual Rig

