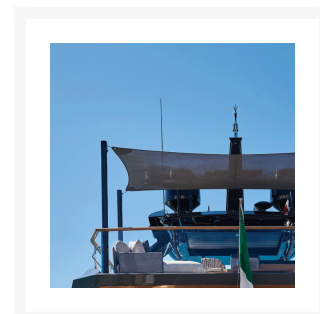
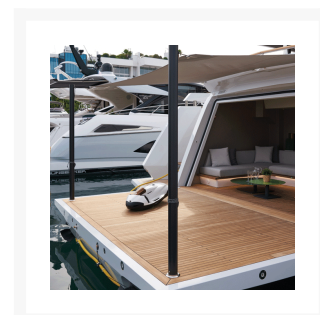




# IP86 Sun Awning Deck Socket

From  
**£592.52**  
Excl. Tax: £493.77

## Product Images



## Short Description

The IP86 deck socket is for use with the Ø86mm removable carbon fibre sun awning poles, both fixed and telescopic. CNC machined from billet 316-grade stainless steel, the socket is incredibly strong, long-lasting and beautiful. The softened edges result in a comfortable underfoot fixture.

The patented design of the socket means that it is very shallow and entirely waterproof. No drains are needed with this fitting, resulting in an efficient and straightforward installation. The socket is supplied with a counterplate for load spreading.

The socket is available in two forms. A drilled and countersunk model for installation from above (6x M8) or a blind fitting version with 6x threaded M8 fixing points for installation from below.

Fixing screws and nuts are sold separately, please view the related products section to see available options.

## Description

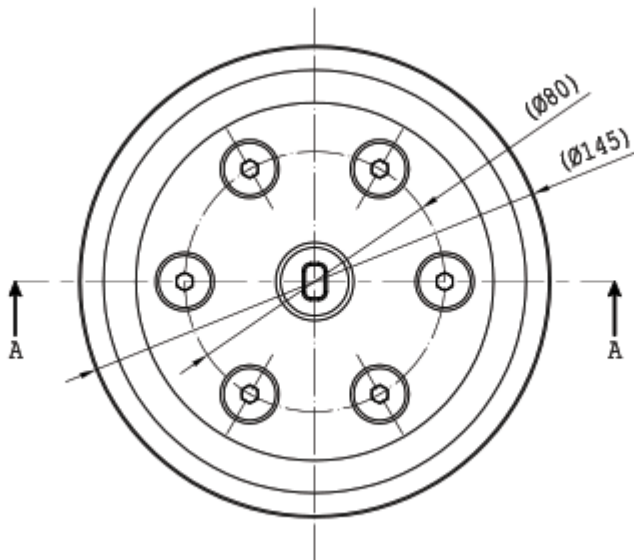
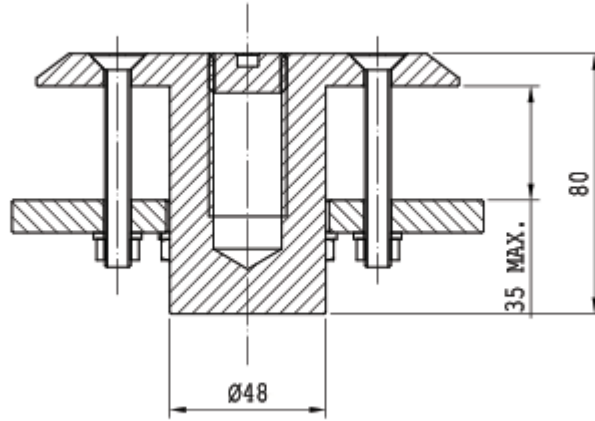
---

# Deck Socket For Ø86mm Awning Poles



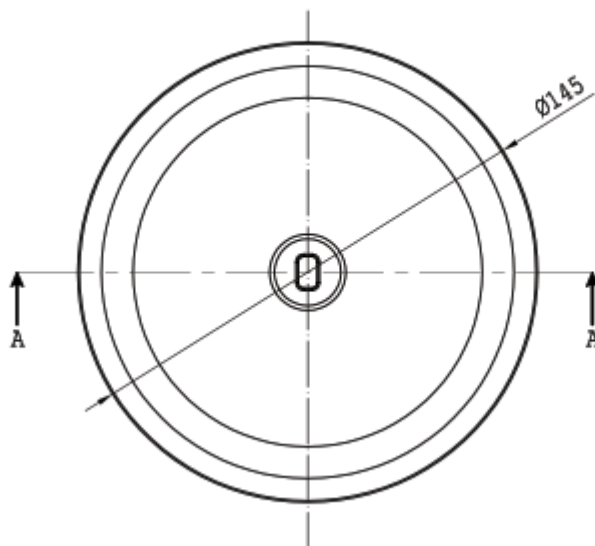
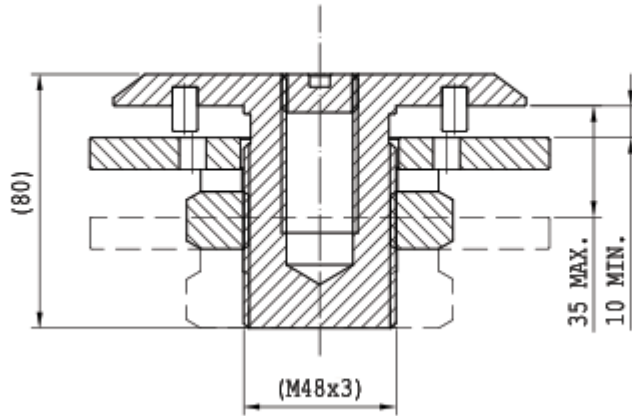
IC-IP8600SS Fixing From Above

# SECTION A-A



IC-IP8601SS Fixing From Underneath

## SECTION A-A



## Additional Information

Weight (kg)	1.670000
Finish	316 Stainless Steel
Base Depth	70.00
Base Diameter (mm)	130.00
Recess Diameter (mm)	48.00

# Product Options

---

Version: Visible Screw Fixing  
Blind Fixing From Underneath

