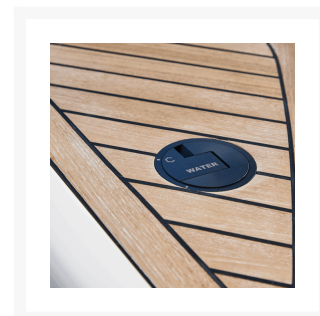
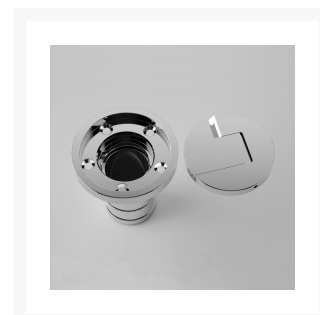




Premium Deck Filler - Hidden Fixings

From
£248.62
Excl. Tax: £207.18

Product Images



Short Description

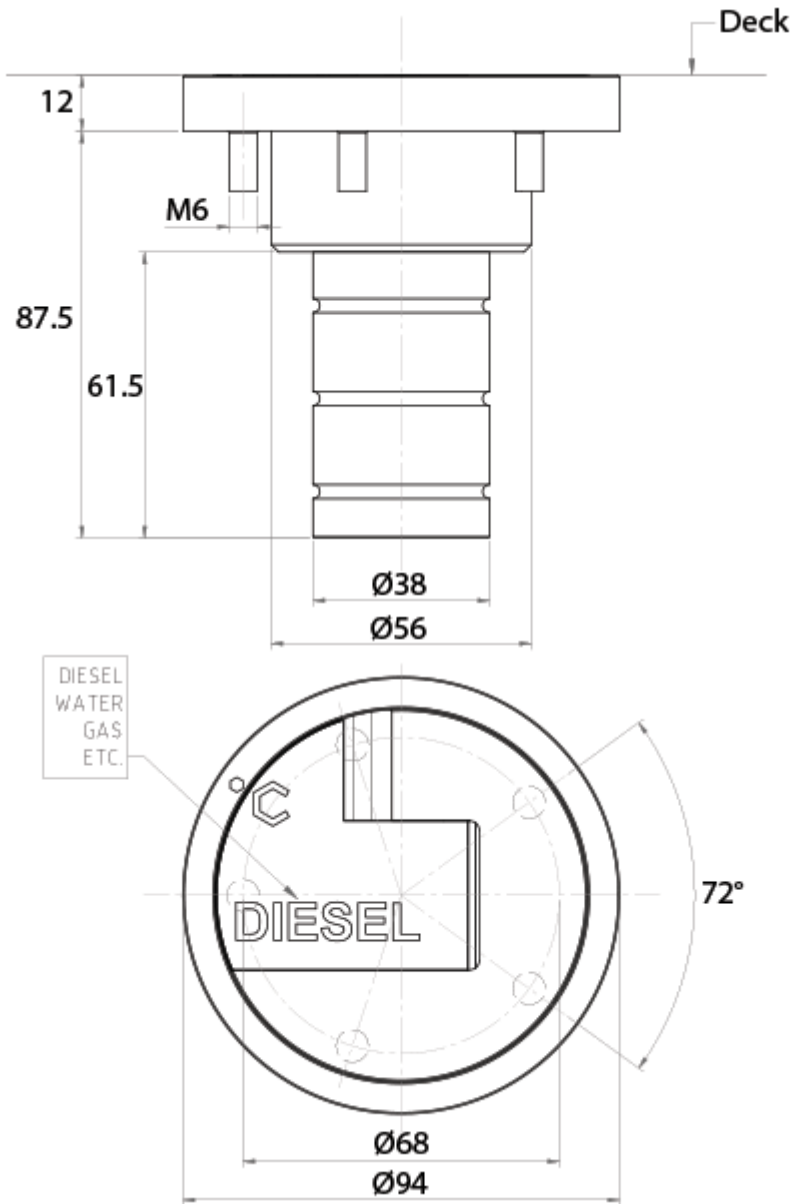
Premium yacht deck filler machined from aluminium or stainless steel.

- CNC machined from either aluminium or stainless steel
- Hidden fixings within lid for minimalist aesthetic - screw size is M6
- Aluminium standard finish either silver anodised or black
- Stainless steel standard finish is polished
- Ø38mm or Ø50mm hose connection
- Features the word gas, fuel, water, diesel or waste on lid, custom laser etching on request
- The lid is connected to the filler with an internal safety wire so that once opened it cannot be dropped over-board.

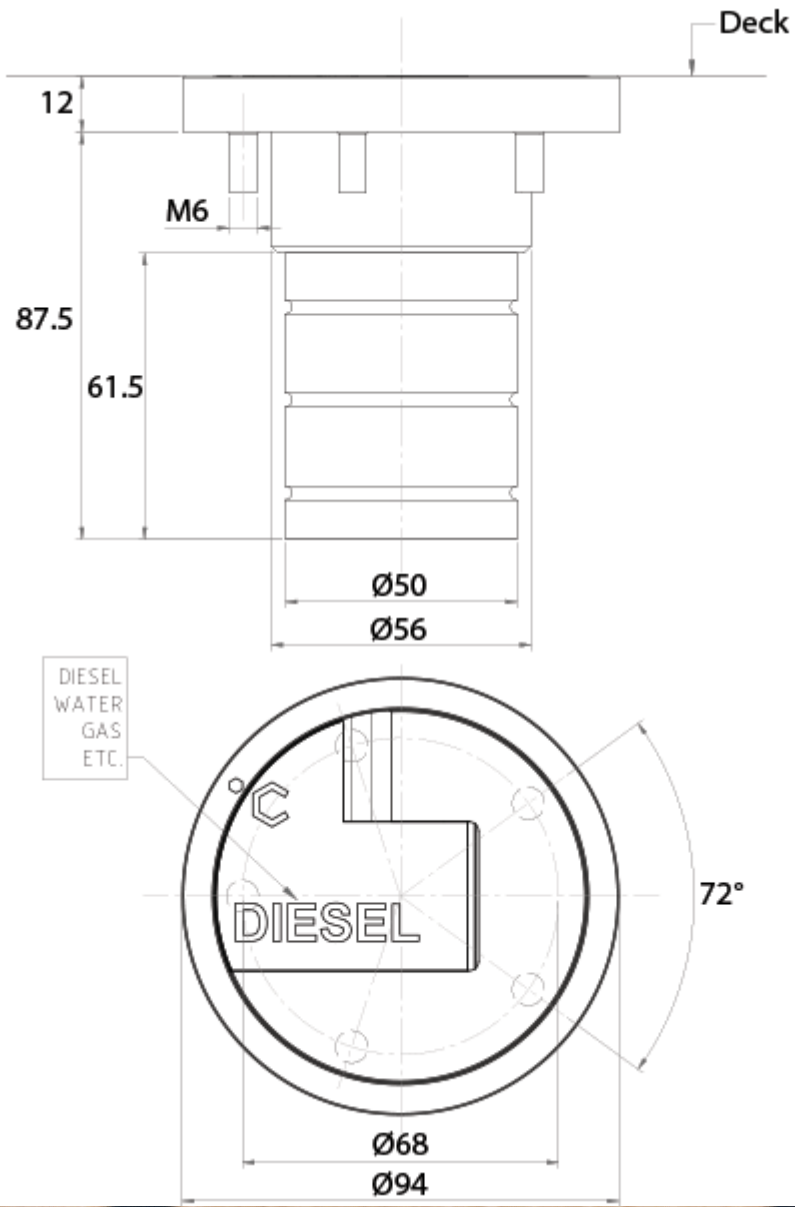
This product currently has a lead time of 4 weeks from order.

Description

IC-F3801 - Ø38mm Tube



IC-F5001 - Ø50mm Tube



Additional Information

Diameter (mm)	94.00
Weight (kg)	0.350000

Product Options

Hose Tail:	38.00 Ø
	50.00 Ø
Finish:	316 Stainless Steel
	Anodised Aluminium
	Black Anodised Aluminium
Filler Type:	Water
	Diesel
	Gasoline
	Fuel
	Waste

