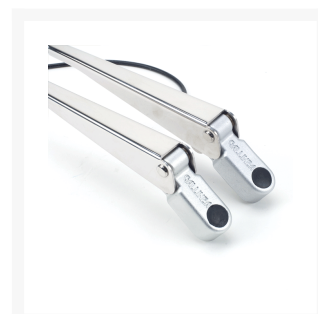




Wiper System - Classic Line

Product Images





Short Description

The *Classic* stainless steel wiper kit features an elegant 316-grade polished wiper arm.

Classic is a great choice for most windscreen types. With a maximum arm length of 1050mm, and an elegant 316-grade stainless steel construction, the *Classic* wiper package has remained a popular choice by boatyards across the globe. This arm can then be combined with the various motor options and appropriate control panel according to the system requirements.

The *Classic* wiper arm design integrates a neat and effective windscreen washer jet. This means that salt spray and residue can be washed off effectively and without large amounts of overspray like other deck mounted washer jet systems.

Description

Product Information

Single Arm Length

600-1050mm

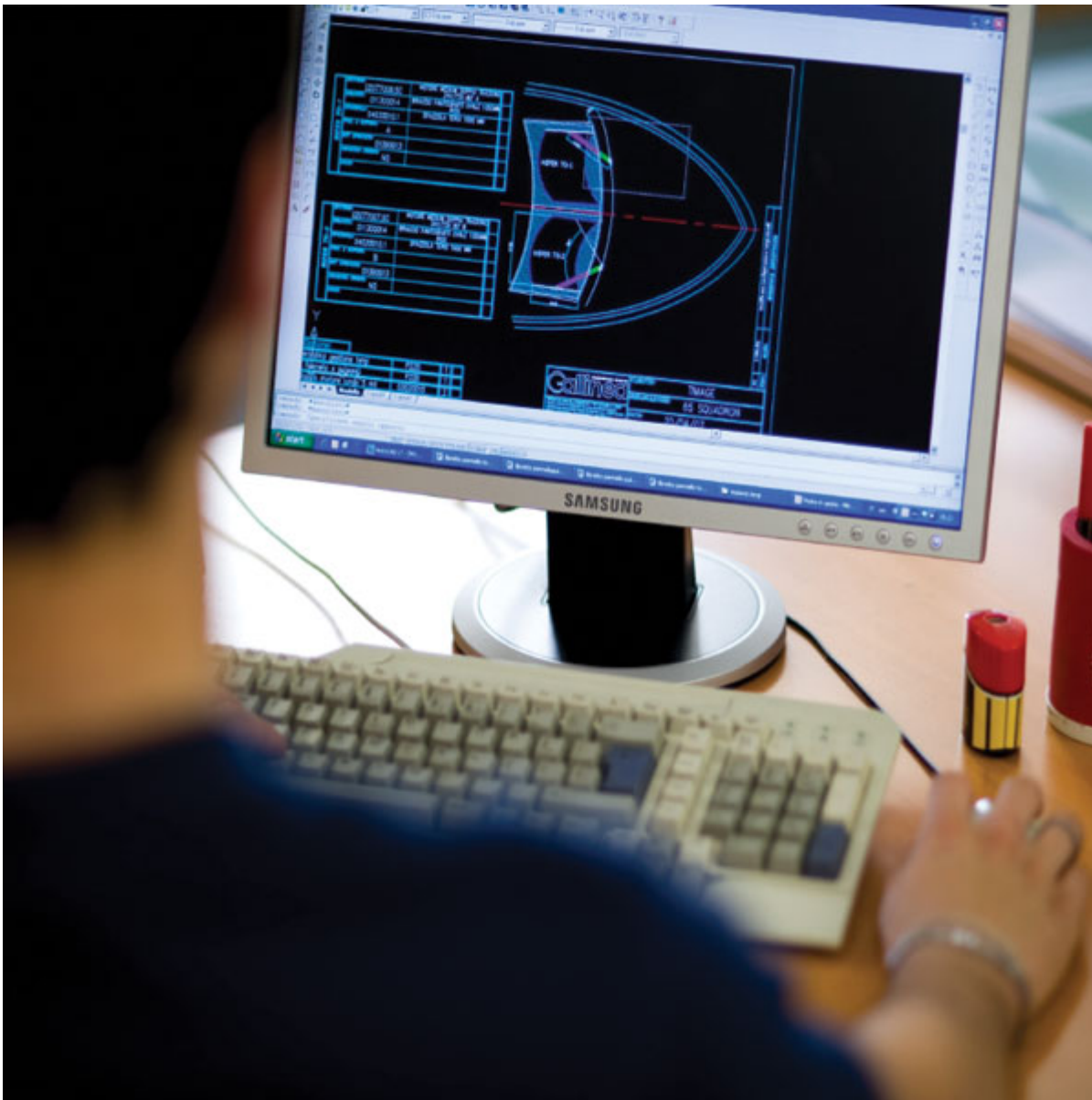
Pantograph Arm Length	600-1050mm
Finish	Polished stainless steel or black
Wiper Blade	Arc Classic
Motors	Varies depending on the wiper arm length and blade size. Compatible with all <i>Small</i> motors, <i>Medium C / Z Medium CC / LZ</i> .
Control Box	Specification according to client requirements. Canbus integration.
Control Panel	Traditional mechanical switching or touch screen.



Itama with Classic single wiper arm in black finish

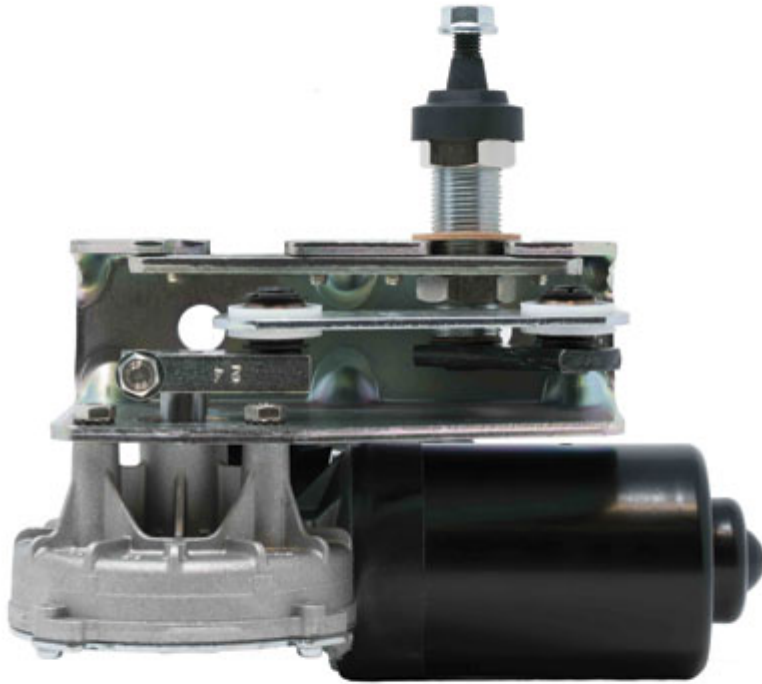
A Tailored Approach

Working closely with the manufacturer, we are able to offer a fully custom windscreen wiper system. The wiper kits are carefully designed using the CAD data provided by the yard. A wiper parameters drawing is then created for approval by the client, before final kit specification is confirmed and the kit can be assembled. Using a combination of stock parts, as well as the occasional custom piece, the Gallinea wiper set is tailored to each application.



Wiper Motors

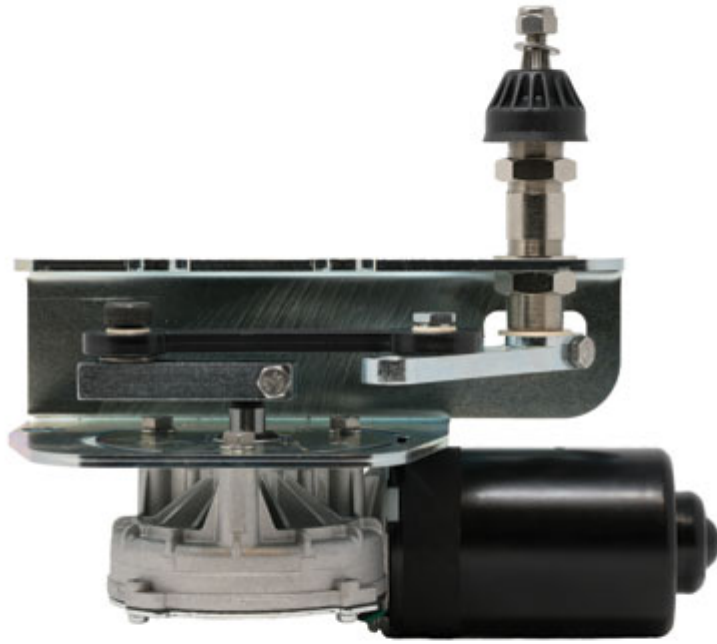
The wiper motor required varies from installation to installation. Factors such as blade and wiper arm size are determined first in order to ensure the best possible clean screen area. Then, the motor can be selected, balancing performance with reliability and installation space available.



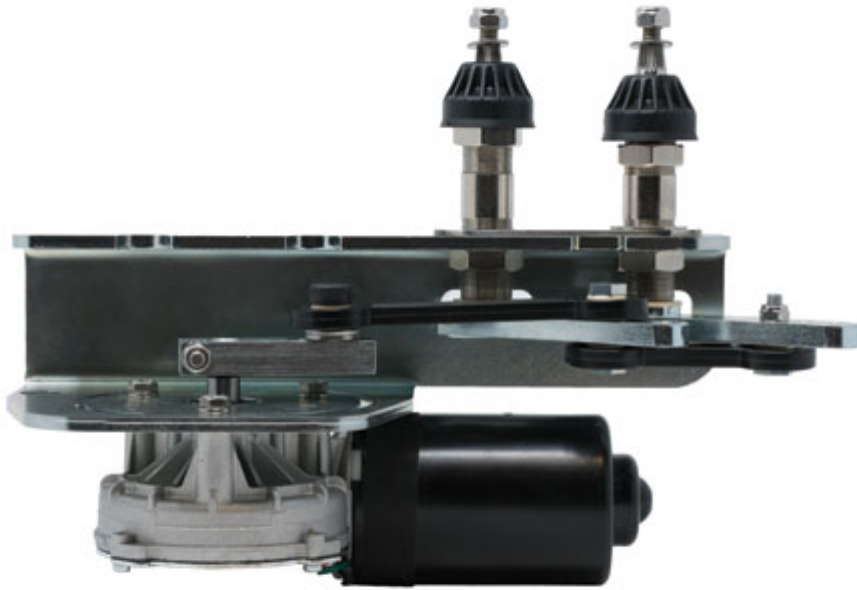
Compact Motor - Single Arm



Compact Motor - Pantograph Arm



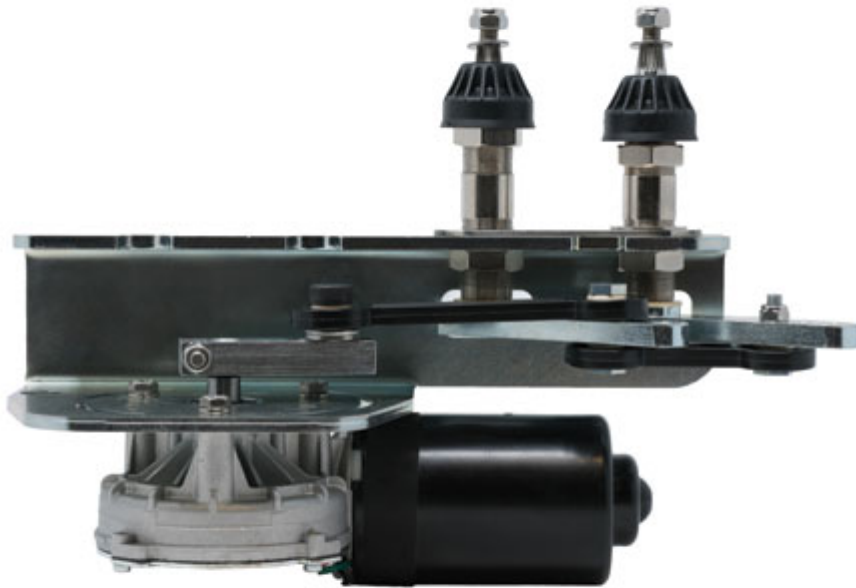
Small Motor - Single Arm



Small Motor - Pantograph Arm



Medium Motor - Single Arm



Medium Motor - Pantograph Arm

Control Box & Switchgear

Numerous options are available with regards to interaction and operation of the windscreen wiper system. The control box makes use of the latest technology to offer great control of anything from a single arm layout through to multiple arms and motors. A control box can handle up to three motors. In the case of installations with multiple motors, the control boxes can be connected to one another via a LIN-BUS connection. The control box ensure synchronisation of multiple motors, management of the parking position when the system is switched off, provides a wash function and manages the timing function. The control box can be operated via monostable switches or Can-Bus integration.



Touch panel wiper interface



Traditional switch panel interface



Wiper control box

Additional Information

Length (mm)	600 - 1050
Input Voltage	12 / 24Vdc
Manufacturer	Gallinea

