



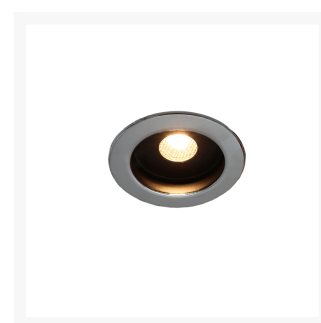
# Nettuno GTP Spotlight

From

**£118.04**

Excl. Tax: £98.37

## Product Images



## Short Description

The Nettuno GTP spotlight range brings the antiglare luminaire design philosophy into a compact package. At only 28mm deep, the fittings require only a shallow recess, making them ideal for tight spots or areas with restricted headroom.

Nettuno GTP packs a huge amount of technology into a very compact form. The Nichia™ LED chip produces a very high quality LED output with an average colour rendering index of over 90. The spotlight is waterproof from the front and rear with a 65 ingress protection rating and is available in 3200°K or 4000°K colour temperatures. The contrasting chrome bezel adds a decorative touch and ties the fitting in with other similarly finished items nearby.

- Interior & exterior spotlight

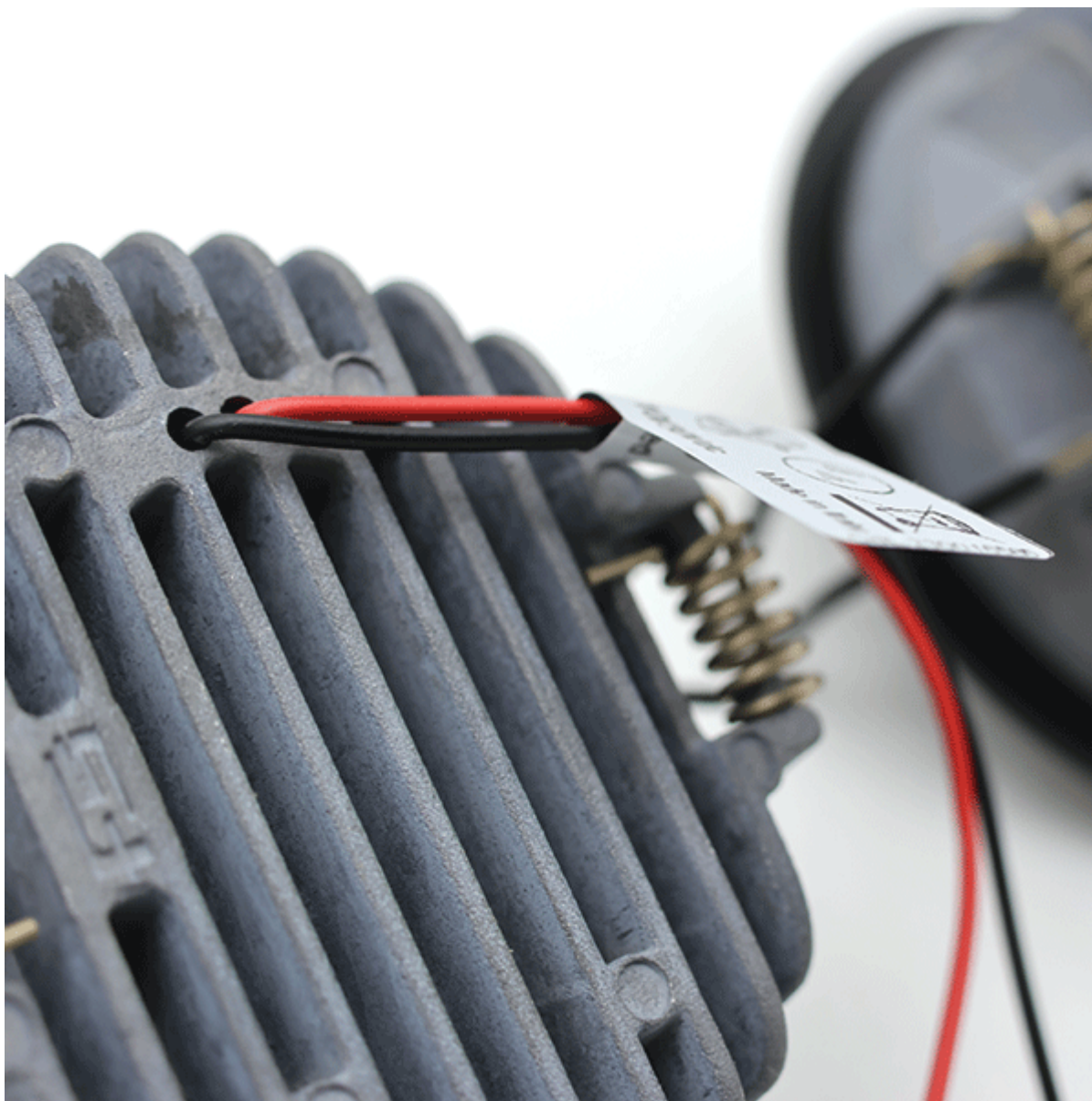
- Galvanised brass face, chrome plated
- Tempered glass lens
- Anodised aluminium heatsink
- Available 3200°K or 4000°K
- CRI>90

*Please note that this light has a lead time of 3-4 weeks.*

## Description

---





## Heat Dissipation

Heat dissipation is key to the performance and longevity of LED lighting. Our Power LED modules have been carefully designed to ensure that the heat is taken away from the LED chips and dissipated through the incorporated heat sink designed into the product housing.

Circuit board temperatures are closely monitored during the development phase of each product and appropriate heat dissipation can then be accurately calculated to ensure that product will continue to perform for many years

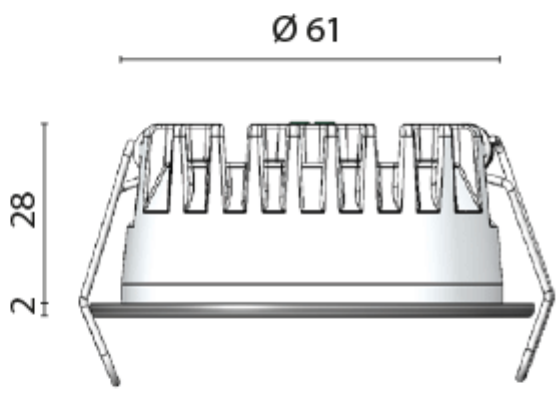
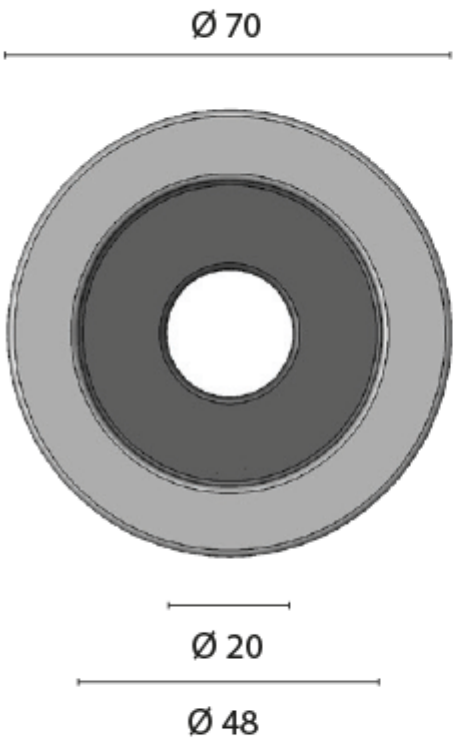
---

## A Family of Fittings

The Nettuno range features a number of models based on the same physical platform and design philosophy. There is a luminaire for every job.



## Dimensions



**Power Led**

## Additional Information

---

Weight (kg)	0.170000
Manufacturer	Foresti & Suardi
Installation	Recessed
Light Element Type	Power LED
Wattage	3.6W
CRI	>90
Input Voltage	10-30Vdc
IP Rating	IP65
Dimmer	Yes
Bezel Size (mm)	Ø70.00
Cut-out Size (mm)	Ø61.00
Depth (mm)	28.00
Finish	Chrome

## Product Options

---

LED Colour:	White 3200°K
	White 4000°K

