



Wiper System - Ego TC

Product Images



Short Description

The *Ego TC* carbon fibre and stainless steel wiper kit features a wiper arm that is a blend of the two materials. This can be in a single or double configuration. This can then be combined with the various motor options and appropriate control panel according to the system requirements. The system is a great choice for larger sports craft that want the more aggressive aesthetic that carbon fibre brings whilst also keeping costs in check. The brackets and mounting parts of the arms are made from stainless steel and finished in black.

The *Ego TC* wiper arm design integrates a neat and effective windscreen washer jet like the other Gallinea models. This means that salt spray and residue can be washed off effectively and without large amounts of overspray like other deck mounted washer jet systems.

Description

Product Information

Single Arm Length	-
Pantograph Arm Length	1000-1500mm
Finish	Black stainless steel brackets and carbon fibre tube
Wiper Blade	Arc Classic
Motors	Varies depending on the wiper arm length and blade size. Compatible with <i>Small DD</i> , <i>Medium DD</i> and <i>Big DD</i> motors.
Control Box	Specification according to client requirements. Canbus integration.
Control Panel	Traditional mechanical switching or touch screen.



Riva with Ego pantograph wiper arm in black finish

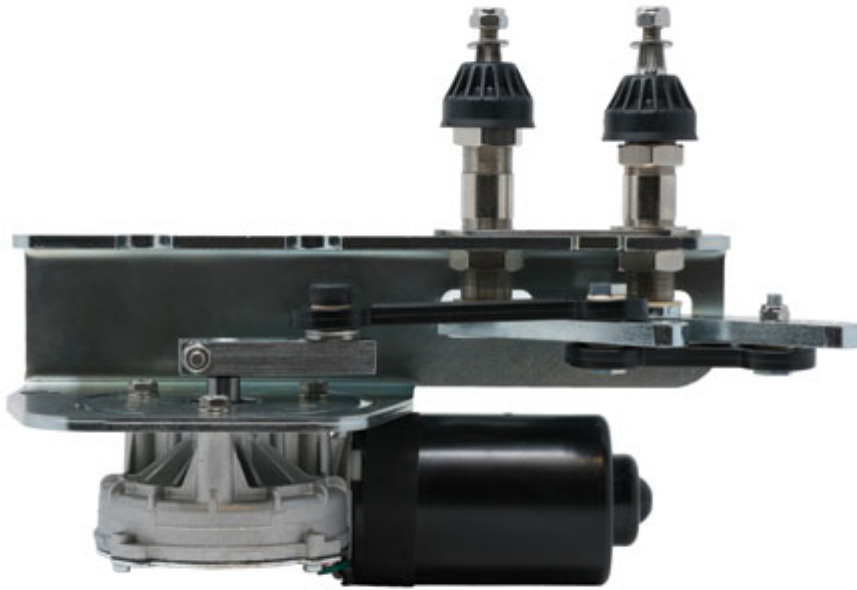
A Tailored Approach

Working closely with the manufacturer, we are able to offer a fully custom windscreen wiper system. The wiper kits are carefully designed using the CAD data provided by the yard. A wiper parameters drawing is then created for approval by the client, before final kit specification is confirmed and the kit can be assembled. Using a combination of stock parts, as well as the occasional custom piece, the Gallinea wiper set is tailored to each application.

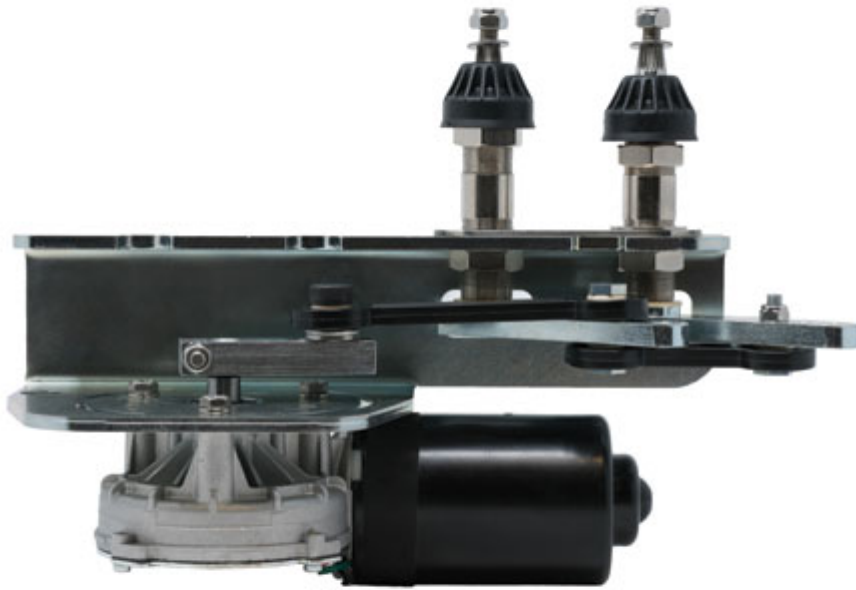


Wiper Motors

The wiper motor required varies from installation to installation. Factors such as blade and wiper arm size are determined first in order to ensure the best possible clean screen area. Then, the motor can be selected, balancing performance with reliability and installation space available.



Small Motor - Pantograph Arm



Medium Motor - Pantograph Arm



Big Motor - Pantograph Arm

Control Box & Switchgear

Numerous options are available with regards to interaction and operation of the windscreen wiper system. The control box makes use of the latest technology to offer great control of anything from a single arm layout through to multiple arms and motors. A control box can handle up to three motors. In the case of installations with multiple motors, the control boxes can be connected to one another via a LIN-BUS connection. The control box ensure synchronisation of multiple motors, management of the parking position when the system is switched off, provides a wash function and manages the timing function. The control box can be operated via monostable switches or Can-Bus integration.



Touch panel wiper interface



Traditional switch panel interface



Wiper control box

Additional Information

Length (mm)	1000 - 1500
Input Voltage	12 / 24Vdc
Manufacturer	Gallinea

