



316 Stainless Steel Wall Mounted Multijet Shower

£798.02

Excl. Tax: £665.02

Product Images



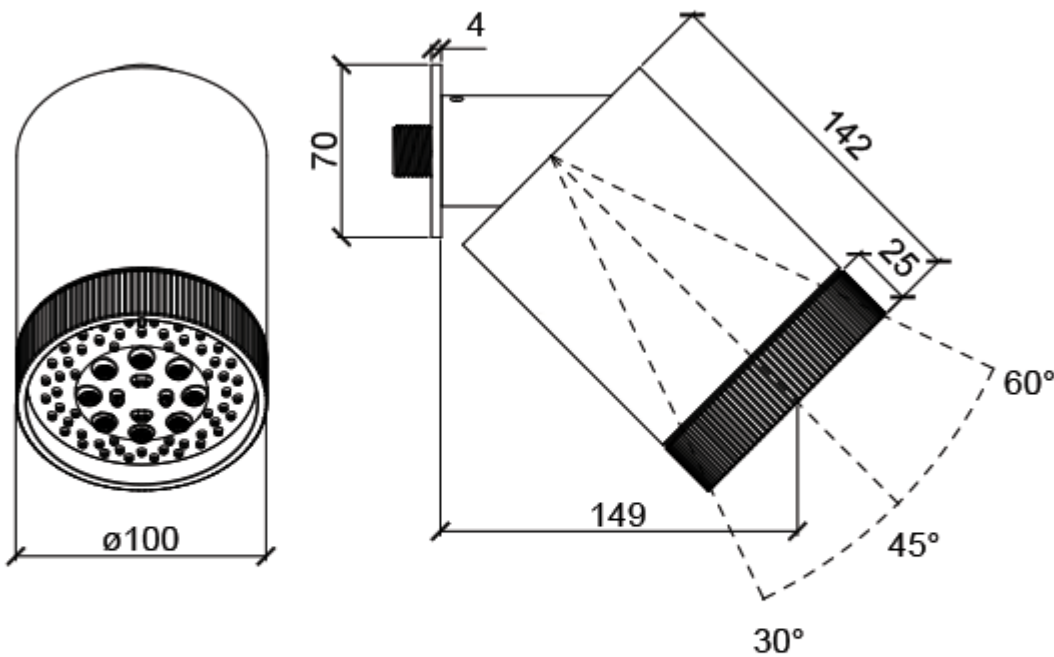
Short Description

A wall mounted multijet shower made from 316-grade stainless steel with a lightly brushed finish. This shower is suitable for use in both interior and exterior spaces and features three different water modes: rain, massage and airstream.

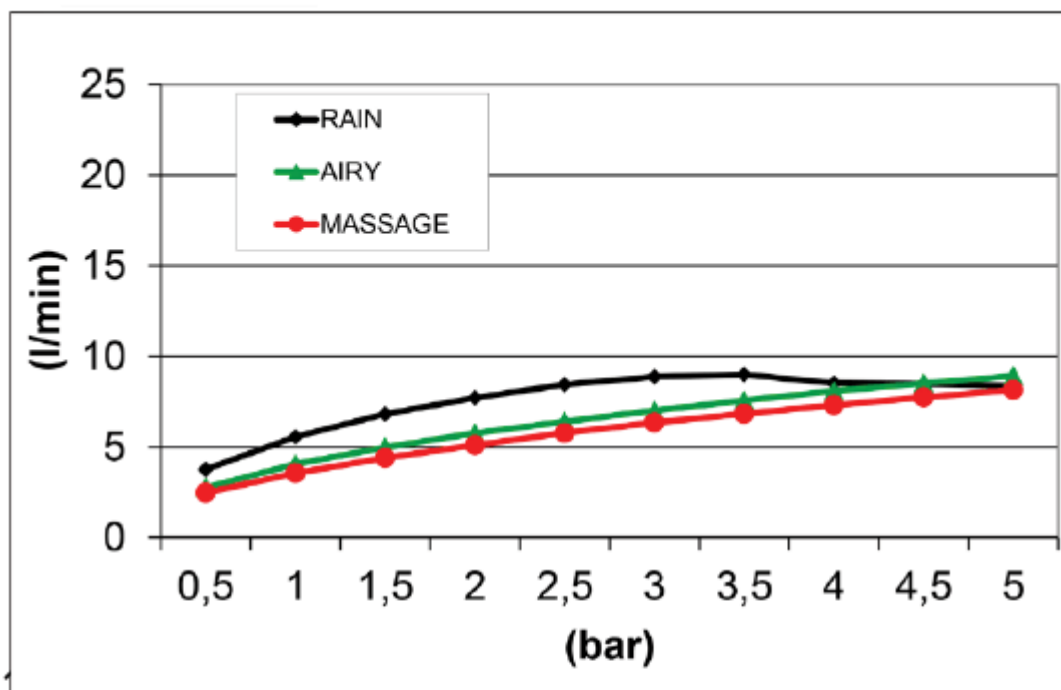
The shower head can be adjusted from 30° through to 60° incline.

Description

Product Drawing



Performance



MIN: 1 bar | MAX: 5 bar | BEST: 3 bar

Finishes

Aside from the standard brushed stainless steel finish, we are able to also offer the following PVD finishes to our 316-grade tapware. These finishes are produced to order so please contact us for more information.



Additional Information

Wall Mounted	Yes
Diameter (mm)	100
Weight (kg)	2.000000
Finish	316 Stainless Steel

