

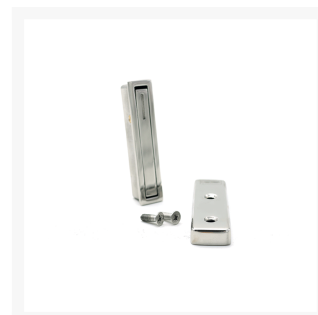
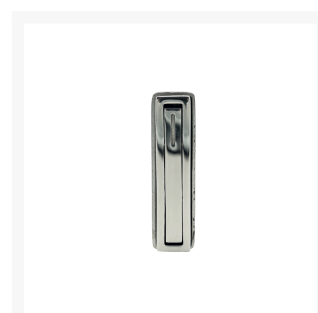


Spring Loaded Recessed Handle

£62.84

Excl. Tax: **£52.37**

Product Images



Short Description

Stainless steel spring loaded flush handle.

A marine-grade 316L stainless steel spring loaded flush handle for interior or exterior application. This recessed handle is made from cast 316-grade (A4) stainless steel and is hand polished to a mirror finish. It is the perfect solution for those needing a completely flush handle, simply push the top of the handle inwards and then lift the opposite end of the handle to fully extract it. The fitting is a handle only, it does not feature a latch.

The fitting is designed for use on panels from 7mm thick to 14mm thick and is supplied with 2x 12mm long M4 screws for this panel thickness. Should the fitting need to be used on thicker panels, then the screws can be simply swapped out for longer M4 screws.

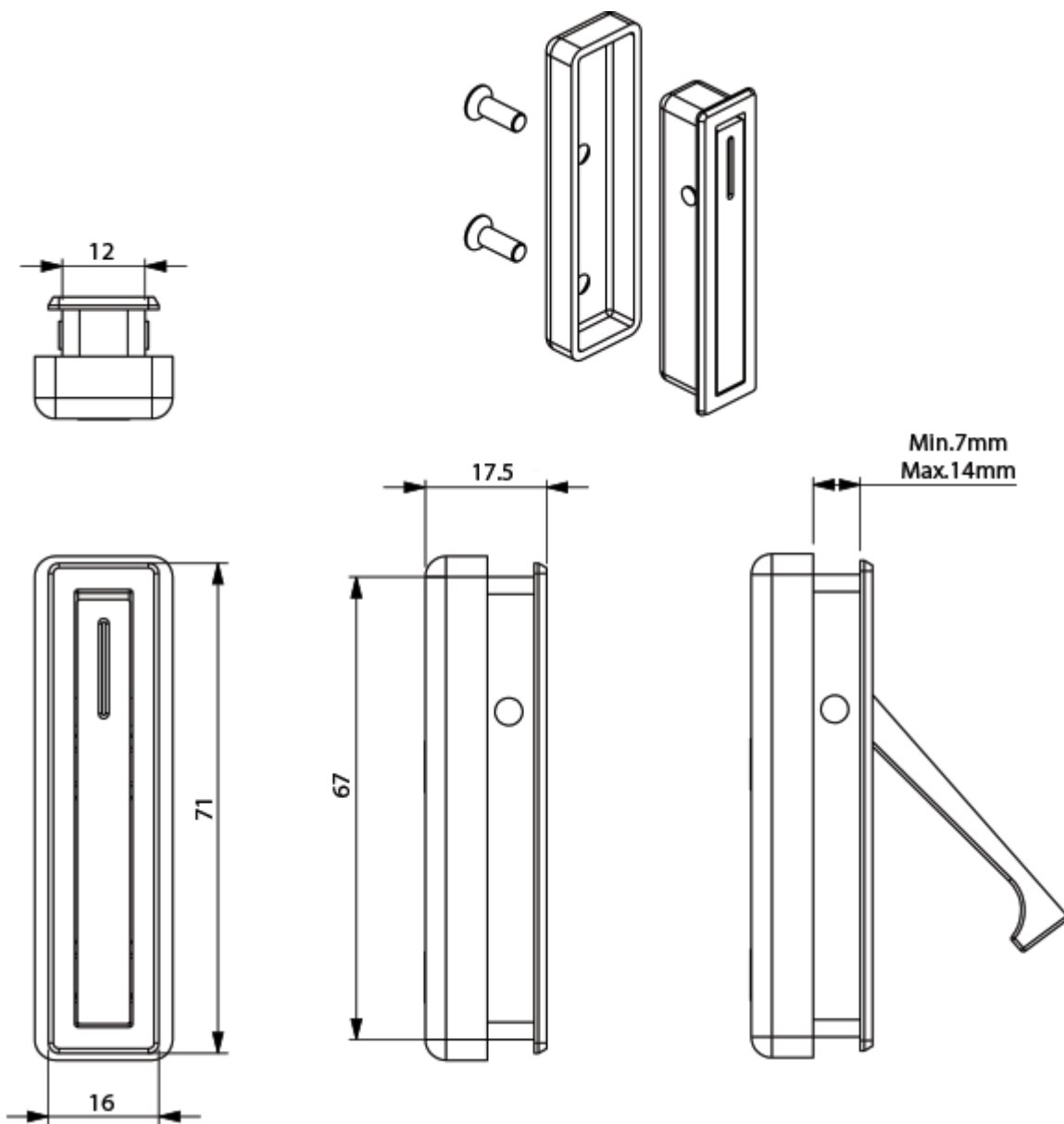
Description







Product Drawing



Additional Information

Weight (kg)	0.700000
Manufacturer	Foresti & Suardi
Finish	316 Stainless Steel
Max. Panel Thickness (mm)	14
Min. Panel Thickness (mm)	7
Length (mm)	71
Width (mm)	16
Fixing Size	2x M4 Screws (L12mm provided)

