



316-Grade Single Lever Basin Mixer Tap

£583.88

Excl. Tax: £486.57

Product Images



Short Description

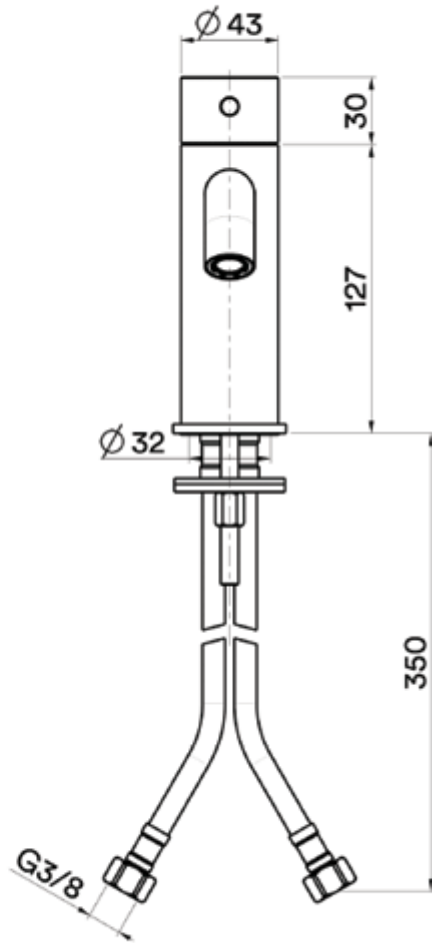
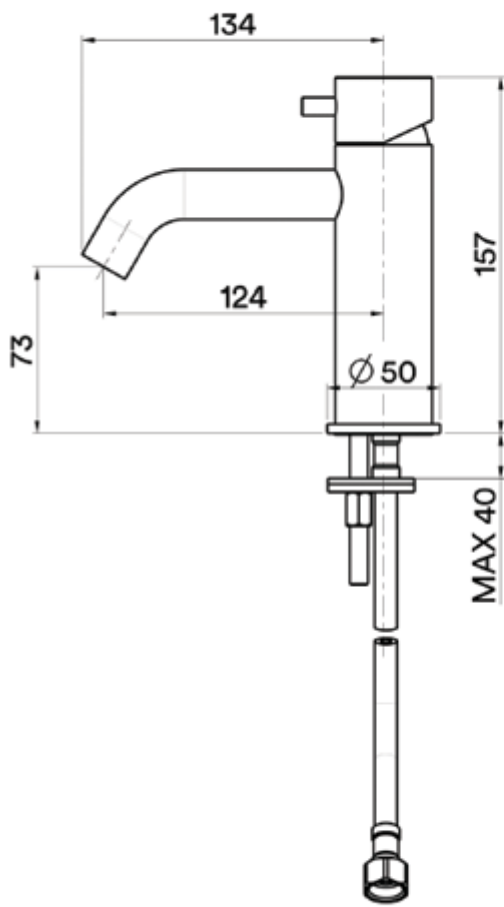
A marine-grade 316 stainless steel mixer tap.

This basin mixer tap is made from 316-grade stainless steel ensuring it will continue to perform, even in the harshest of environments. Marine-grade stainless steel is not only highly resistant to corrosion, but it also helps prevent bacteria build-up and therefore offers a more hygienic solution over a brass product. It is also completely lead-free. This also means that the basin mixer can be used in exterior applications such as outdoor bars and kitchens, it is also suitable for coastal locations.

The product is sold in a brushed finish. Otehr finishes are available on request.

Description

Product Drawing





Finishes



**316
HB**
316 PVD
BRUSHED HIGH
BRASS



**316
CO**
316 PVD
BRUSHED COPPER



**316
GM**
316 PVD
BRUSHED GUN
METAL



**316
AB**
316 PVD
BRUSHED
ABSOLUTE BLACK

Aside from the standard brushed stainless steel finish, we are able to also offer the following PVD finishes to our 316-grade tapware. These finishes are produced to order so please contact us for more information.

Additional Information

| | |
|---------------------------------|---------------------|
| Hose Length (mm) | 350 |
| Spout Length (mm) | 135.00 |
| Spout Height (mm) | 73 |
| Max. Counter Top Thickness (mm) | 40 |
| Wall Mounted | No |
| Base Diameter (mm) | 50 |
| Weight (kg) | 4.000000 |
| Finish | 316 Stainless Steel |

