



Premium Machined Brass Push Button Mechanism

£120.84

Excl. Tax: £100.70

Product Images



Short Description

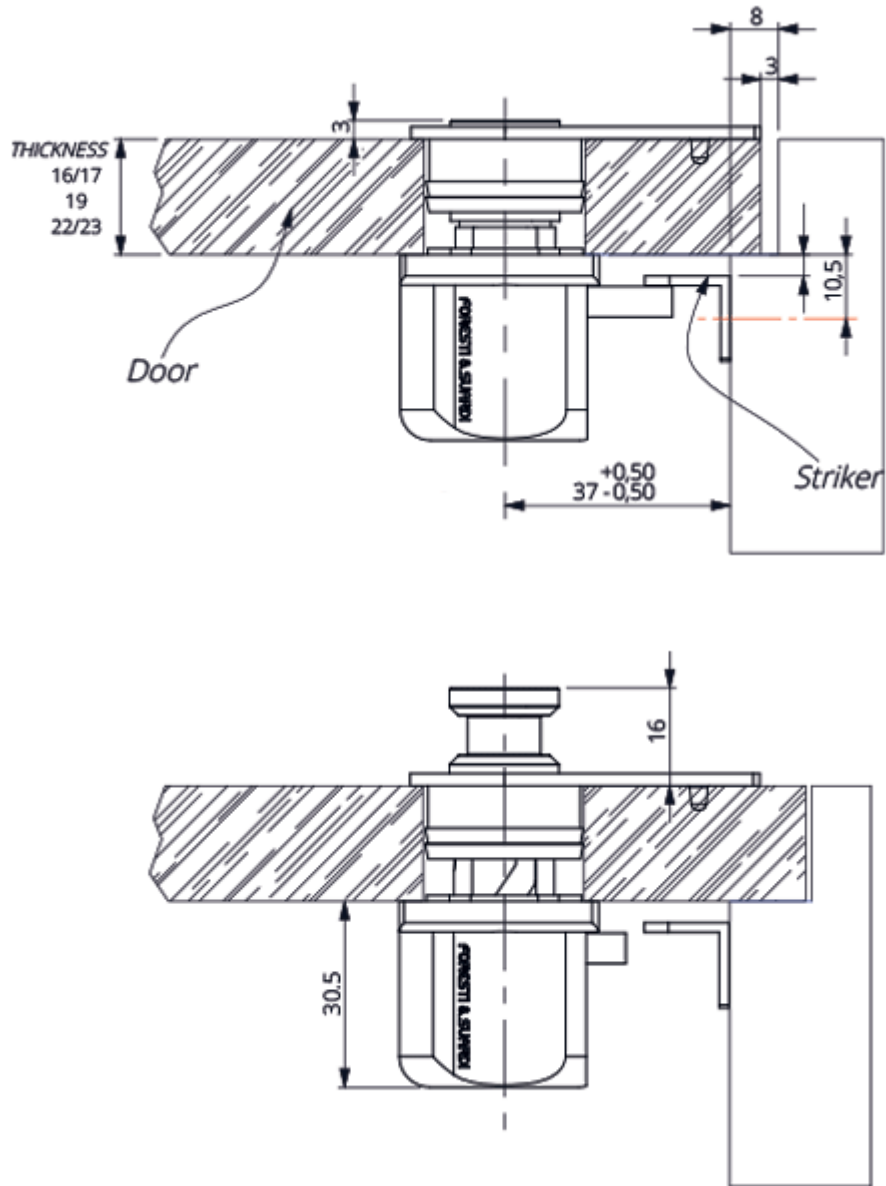
A premium solid brass push button mechanism for use with flush knobs & ferrules.

The knob & ferrule push button is an iconic piece of nautical hardware design. When engaged, the knob sits completely flush with the front of the panel, ensuring that nothing can get caught or snag on it; essential when moving about a yacht underway. Many push button solutions feature a plastic mechanism on the rear of the panel which can be unsightly and not in keeping with the exquisite surrounding joinery. This mechanism changes everything. CNC machined from solid brass, the product has a high class of finish and visual quality that immediately makes it something you no longer need to hide.

The mechanism is compatible with our range of solid brass knob & ferrules which can be found in the related product section below.

Description

Product Drawing



Additional Information

Weight (kg)	0.350000
Manufacturer	Foresti & Suardi
Finish	Chrome
Max. Panel Thickness (mm)	23
Min. Panel Thickness (mm)	16
Depth (mm)	30.5

