



Custom Teak Tables

Product Images



Short Description

Fully custom table manufacture service using certified teak.

Our carpentry team is able to produce tables according to client requirements using certified plantation teak. We can create tables in a wide variety of styles, following a specific drawing or even designing the solution in-house with a client brief. Our skilled craftsmen have produced exterior teak tables for countless marine and residential projects, and boast an excellent level of experience with this type of work.

Discover some of the options and styles available below.

Description



Generations of Experience

Our carpenters are well-versed in the production of teak tables, producing hundreds of units per year for a number of leading yacht manufacturers across the globe. This experience has led to a high-quality product that can be relied upon to perform for many years.

Using the latest 5-axis CNC machines, we are able to produce tables with small tolerances from the original design. High-quality certified plantation teak is used in the construction of all of our tables, and we are able to source the material in a number of thicknesses, using the most appropriate according to the design in hand.





Plain or V-Groove?

Clients can choose the surface detail and keep things simple with a plain flat surface, introduce a machined border or perhaps even a v-groove design.



Fixed or Folding?

Many folding options are available for those looking for a multifunctional solution. Visible traditional table hinges or hidden SOSS hinges can be used depending on client preference.









Special Finishes & Marquetry

Our tables can be lacquered in a gloss finish or perhaps detailed with inlays or special marquetry to create something truly unique.



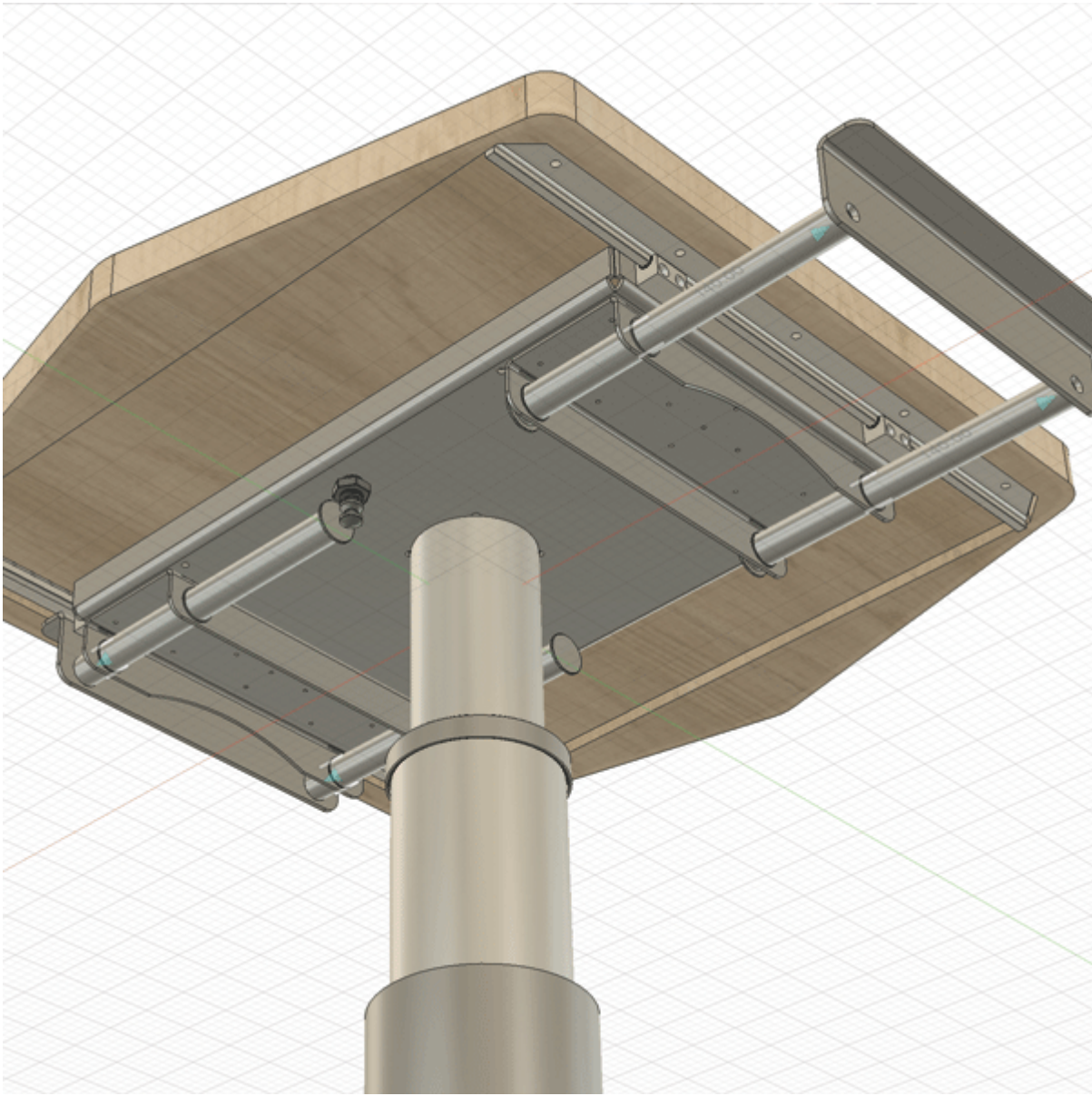


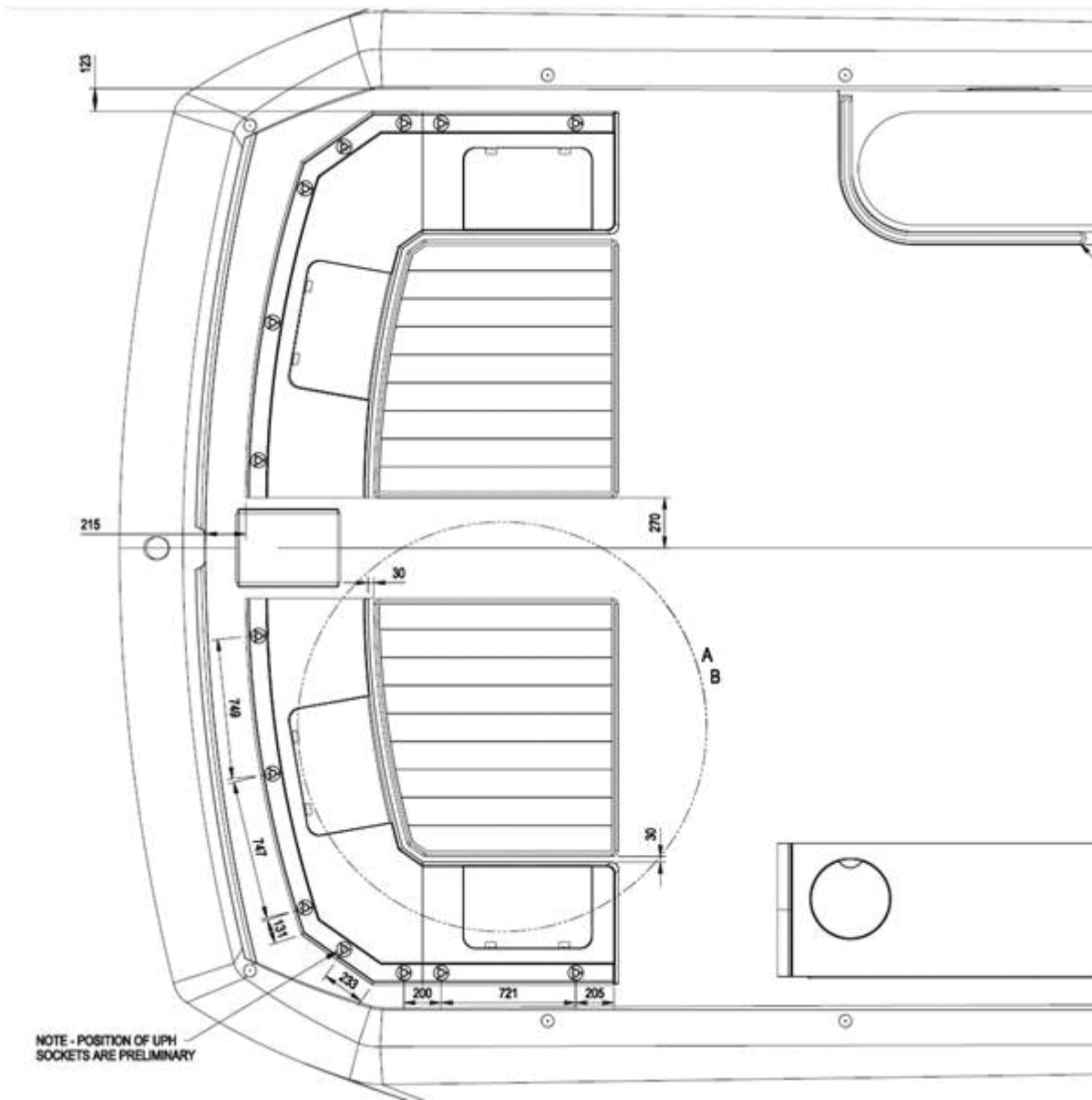


Mechanisms & Supports

Working with client requirements, we can create a table to suit the application. Lazy susan? Pivot pedestal and folding? Fold and slide mechanism? We are able to apply our experience to bring client concepts to life.







Complete Turnkey Solutions With Mechanisms & Pedestals

We are able to bring together complete packages that include manual or electric table pedestals, slider or rotation systems and leaf supports. Our technical team will work hard to arrive at an optimum solution according to the client's needs.

