

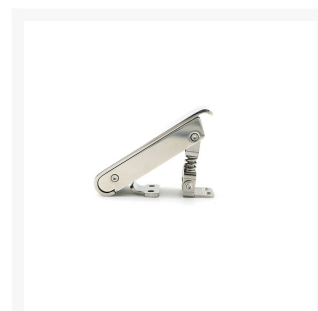


Stainless Steel Over Centre Latch/Hasp

£69.72

Excl. Tax: £58.10

Product Images





Short Description

316-grade stainless steel over centre latch / hasp & staple with a polished finish.

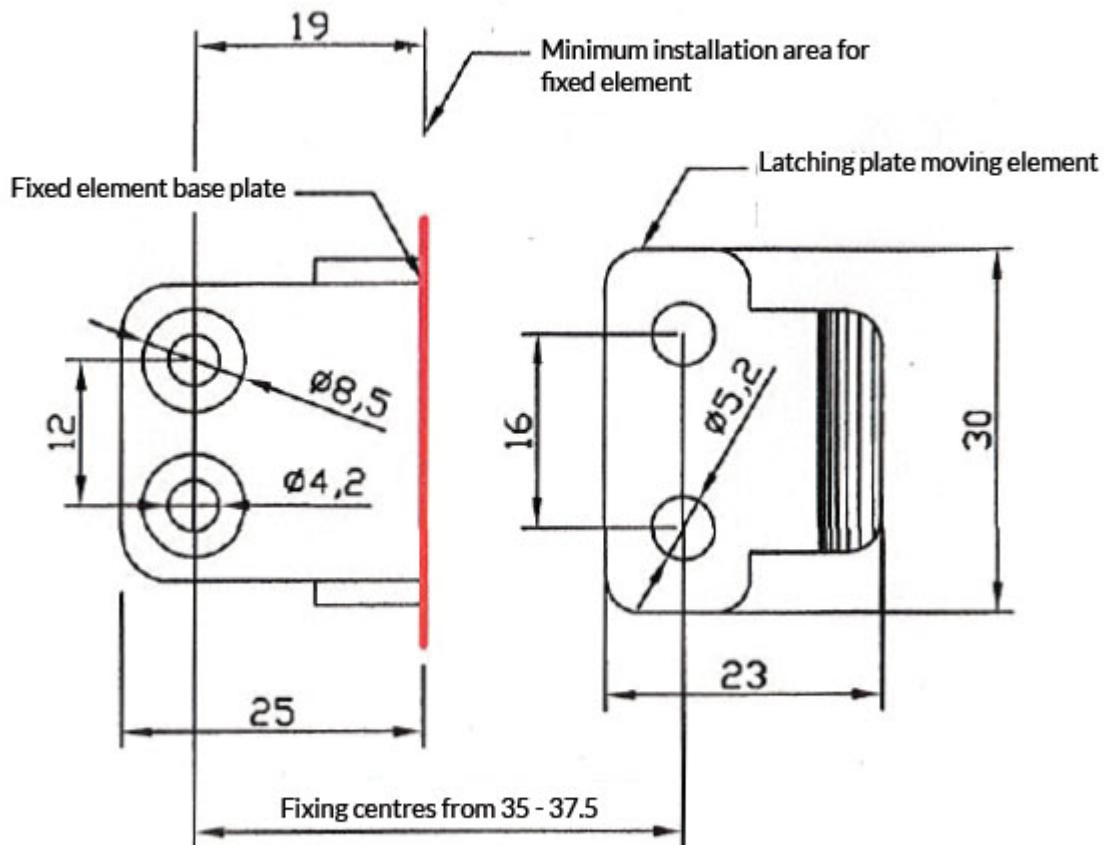
This stainless steel over centre latch is a high-quality modern interpretation of the classic hasp & staple. The product has a clean and minimalist design with a polished stainless steel body hiding the latching components underneath. A pair of springs provides tension when closed, offering an anti-vibration solution and an effective compression.

The product is supplied complete with a striker plate. M4 and M5 fixings are required to install the product and these can be purchased separately; please visit the related products section below.

Description



Product Drawing



Additional Information

Length (mm)	106
Height (mm)	20
Width (mm)	38
Finish	316 Stainless Steel
Weight (kg)	0.280000

