



# Machined Aluminium Pop-up Cleat

## Product Images



## Short Description

**Machined aluminium pop-up cleat in three sizes.**

Versari & Delmonte is a name synonymous with quality. This pop-up cleat is no exception. Machined from billet aluminium, the cleat is lightweight and strong. Three sizes are available in this particular design from 340mm to 510mm in length. The cleat retracts completely into its housing when not in use, resulting in a completely flush finish and a safe and clear deck free from trip hazards.

This cleat is produced to order, please contact us to discuss lead time and pricing.

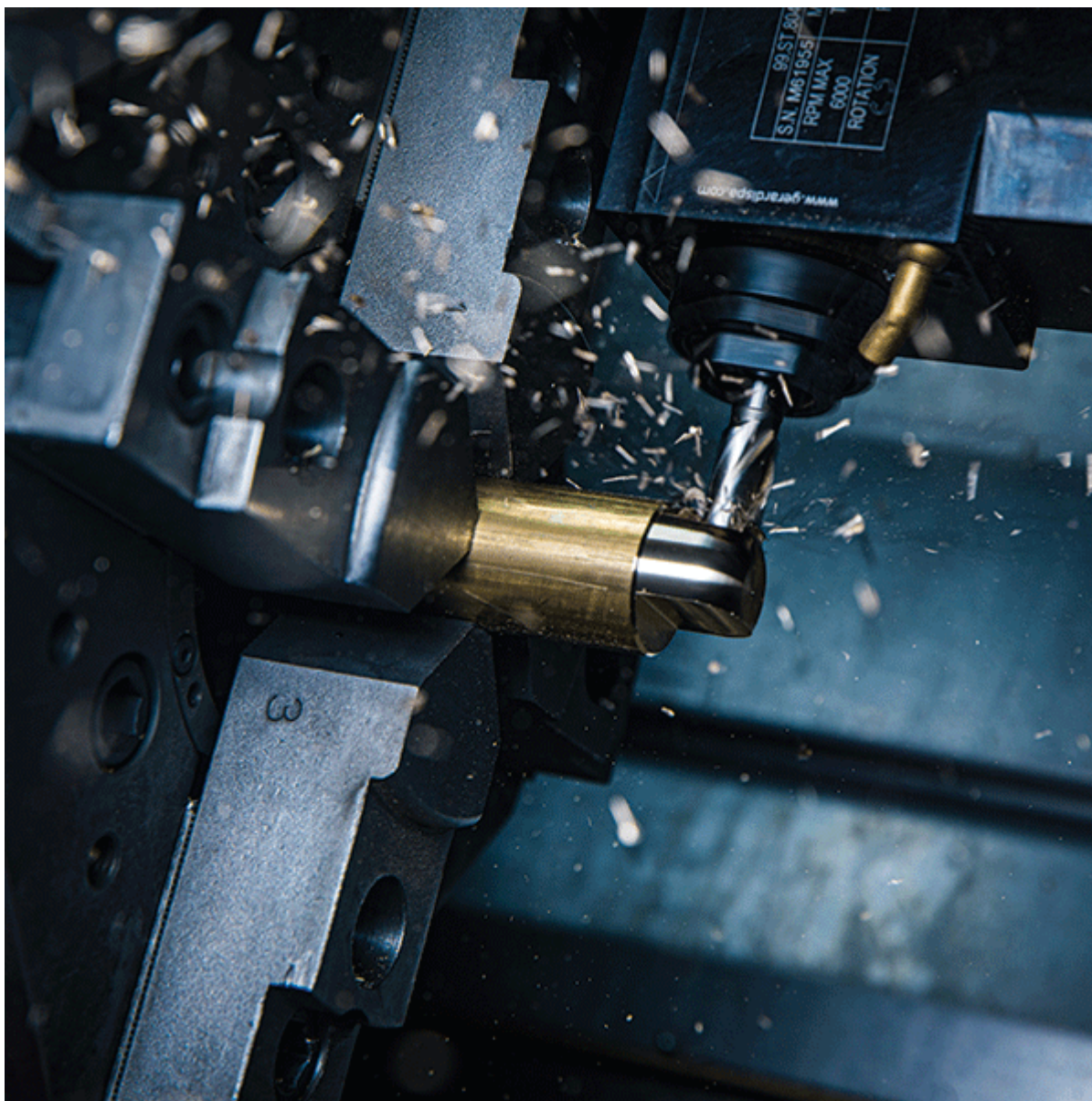
## Description

---

**In 2022, Foresti & Suardi acquired the iconic Versari & Delmonte Brand and created the Versari Collection of machined yacht hardware.**







**All Versari & Delmonte products are machined from solid. Using the latest CNC machining techniques, products are shaped from billet material, offering the ultimate in terms of strength, durability and finish. Working with both aluminium and 316-grade stainless steel, the items are suited to a wide range of applications.**









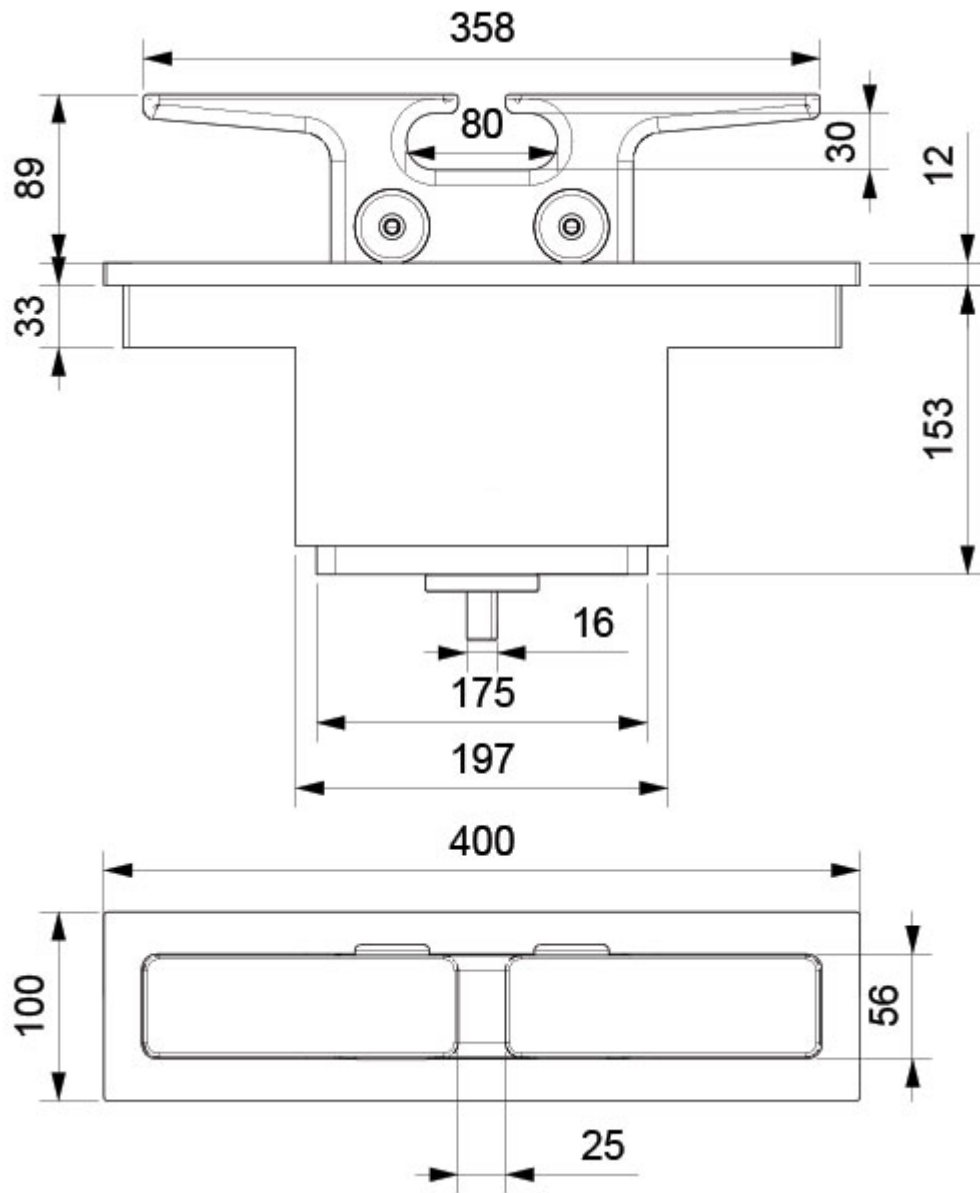






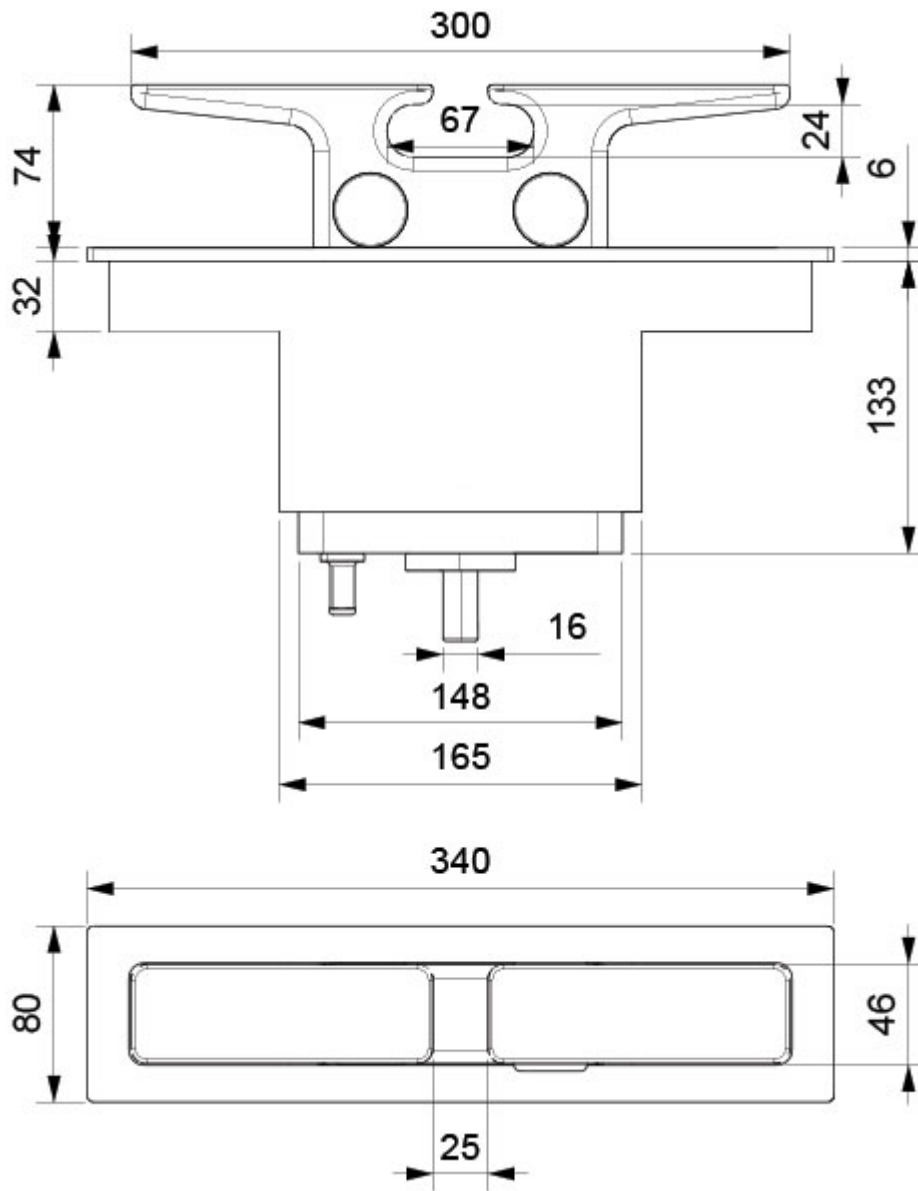


**VD263**



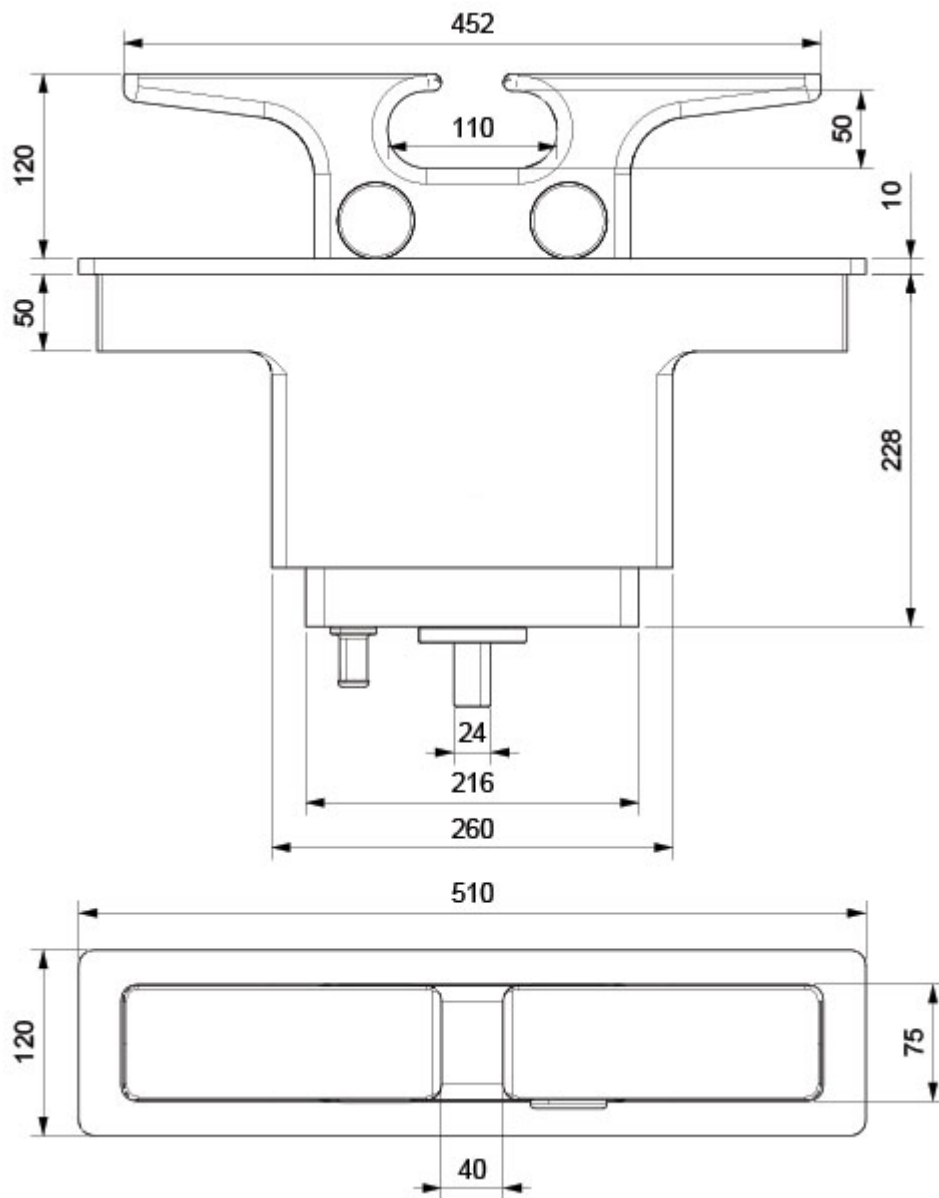
Working load: 7845 daN

## VD268



Working load: 6375 daN

## VD269



Working load: 11275 daN

## Additional Information

Weight (kg)	9.200000
Manufacturer	Foresti & Suardi

## Product Options

---

Length (mm):	400
	340
	510
Finish:	Anodised Aluminium
	Black Anodised Aluminium

