



Machined Aluminium or Stainless Steel Pop-up Cleat

Product Images



Short Description

Pop-up cleat machined from either billet aluminium or 316-grade stainless steel.

Versari & Delmonte is a name synonymous with quality. This pop-up cleat is no exception. Machined from either billet aluminium or 316-grade stainless steel, the cleat can be chosen for its balance of weight saving

properties and strength or for the ultimate resistance to corrosion and high load capacity. The dimensions of the aluminum and stainless steel versions are marginally different, please consult the drawings for more information.

The cleat retracts completely into its housing when not in use, resulting in a completely flush finish and a safe and clear deck free from trip hazards.

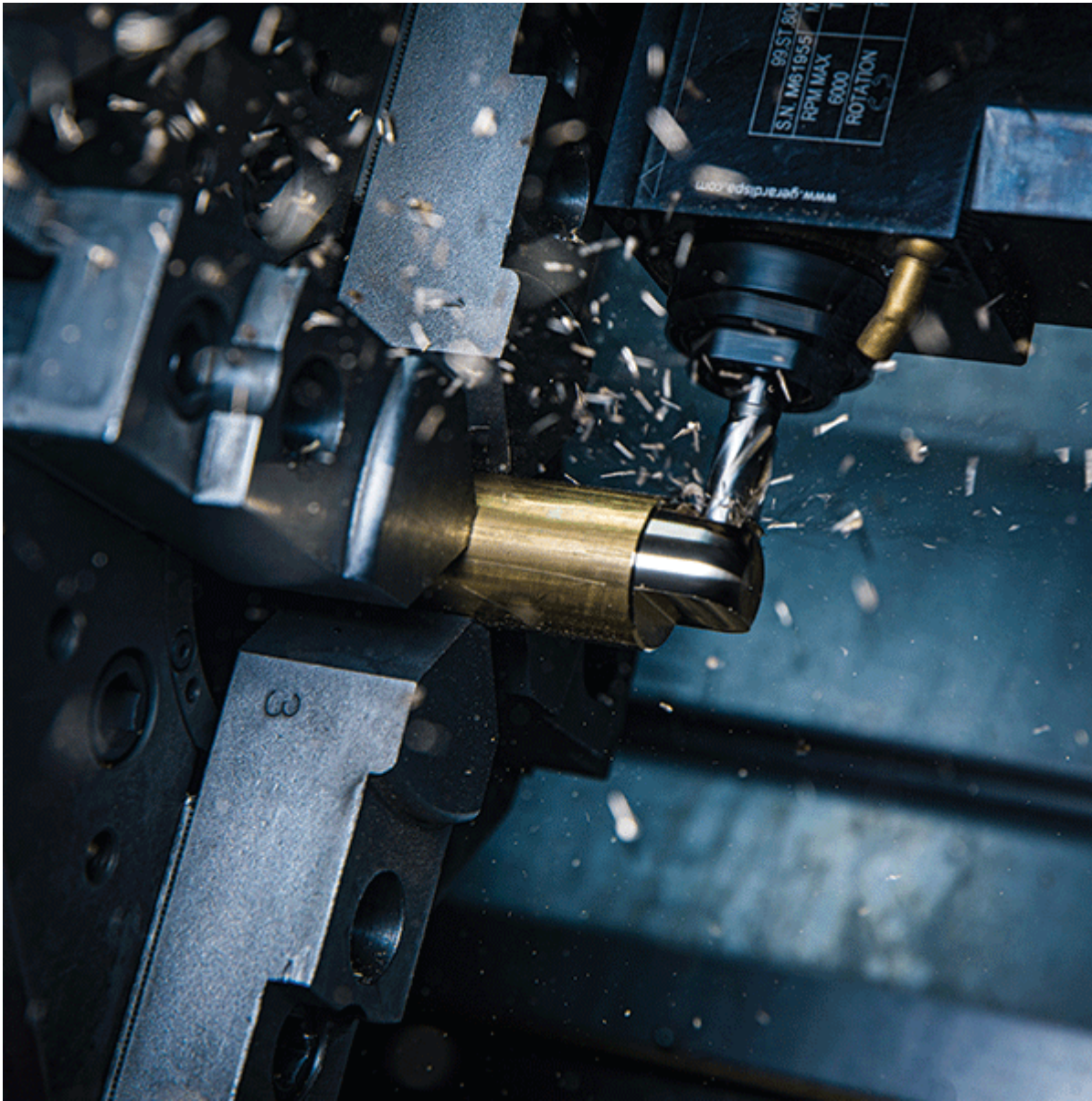
This cleat is produced to order, please contact us to discuss lead time and pricing.

Description

In 2022, Foresti & Suardi acquired the iconic Versari & Delmonte Brand and created the Versari Collection of machined yacht hardware.

VERSARI
COLLECTION





All Versari & Delmonte products are machined from solid. Using the latest CNC machining techniques, products are shaped from billet material, offering the ultimate in terms of strength, durability and finish. Working with both aluminium and 316-grade stainless steel, the items are suited to a wide range of applications.





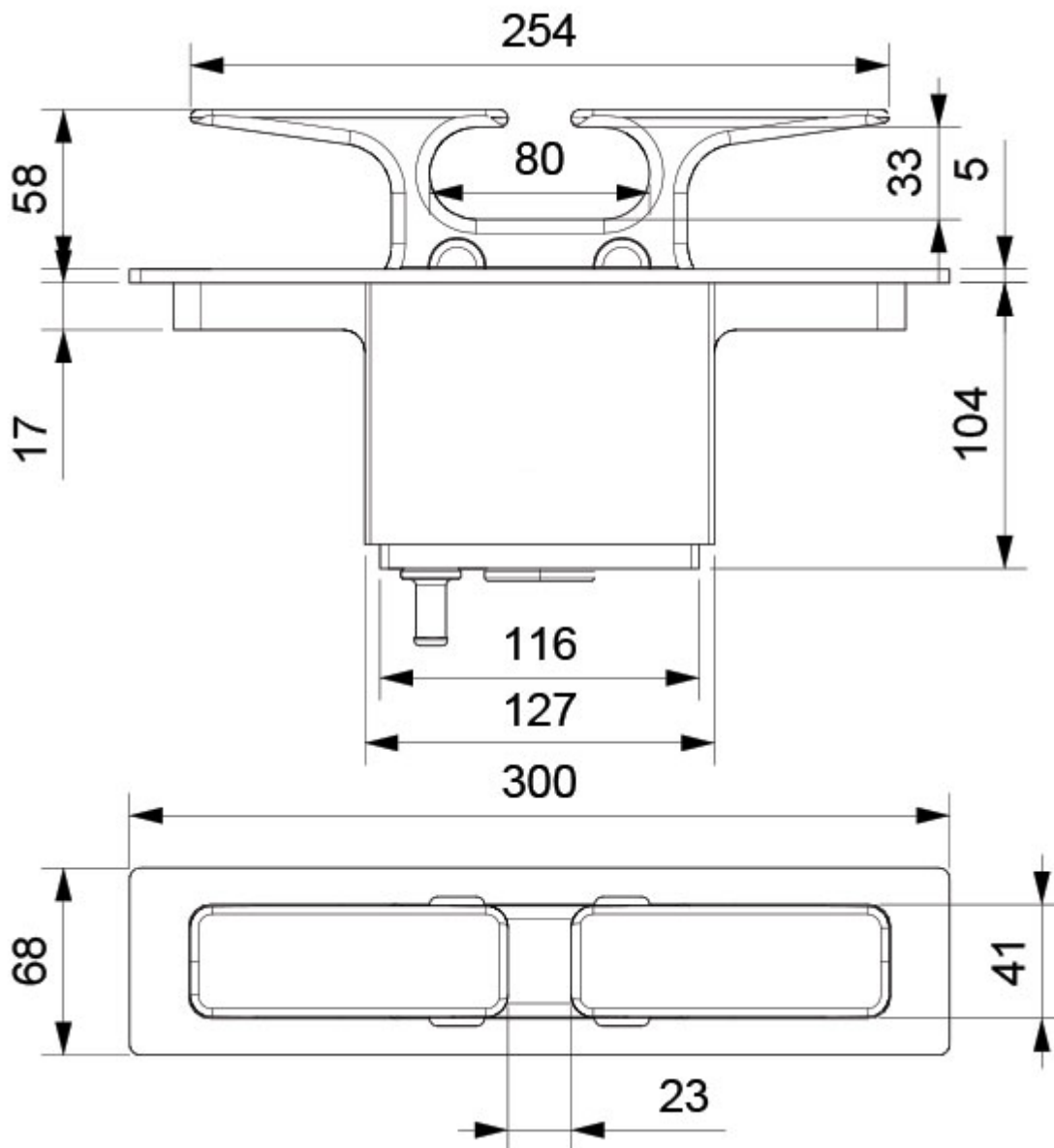








VD3264SS



Working load: 24500daN

VD264A

Drawing coming soon...

Working load: 2450daN

Additional Information

Manufacturer	Foresti & Suardi
Weight (kg)	2.500000

Product Options

Finish:	316 Stainless Steel
	Anodised Aluminium
	Black Anodised Aluminium

