



Machined Aluminium Pop-up Cleat

Product Images



Short Description

Machined aluminium pop-up cleat with single stem

design.

Versari & Delmonte is a name synonymous with quality. This pop-up cleat is no exception. Machined from billet aluminium, the cleat is lightweight and strong. The cleat retracts into its housing when not in use, leaving just a small protruding section which doubles up as a useful lifting point. The softened form ensures that the cleat remains a safe piece of hardware on deck with minimal protrusion.

This cleat is produced to order, please contact us to discuss lead time and pricing.

Description

In 2022, Foresti & Suardi acquired the iconic Versari & Delmonte Brand and created the Versari Collection of machined yacht hardware.

VERSARI
COLLECTION





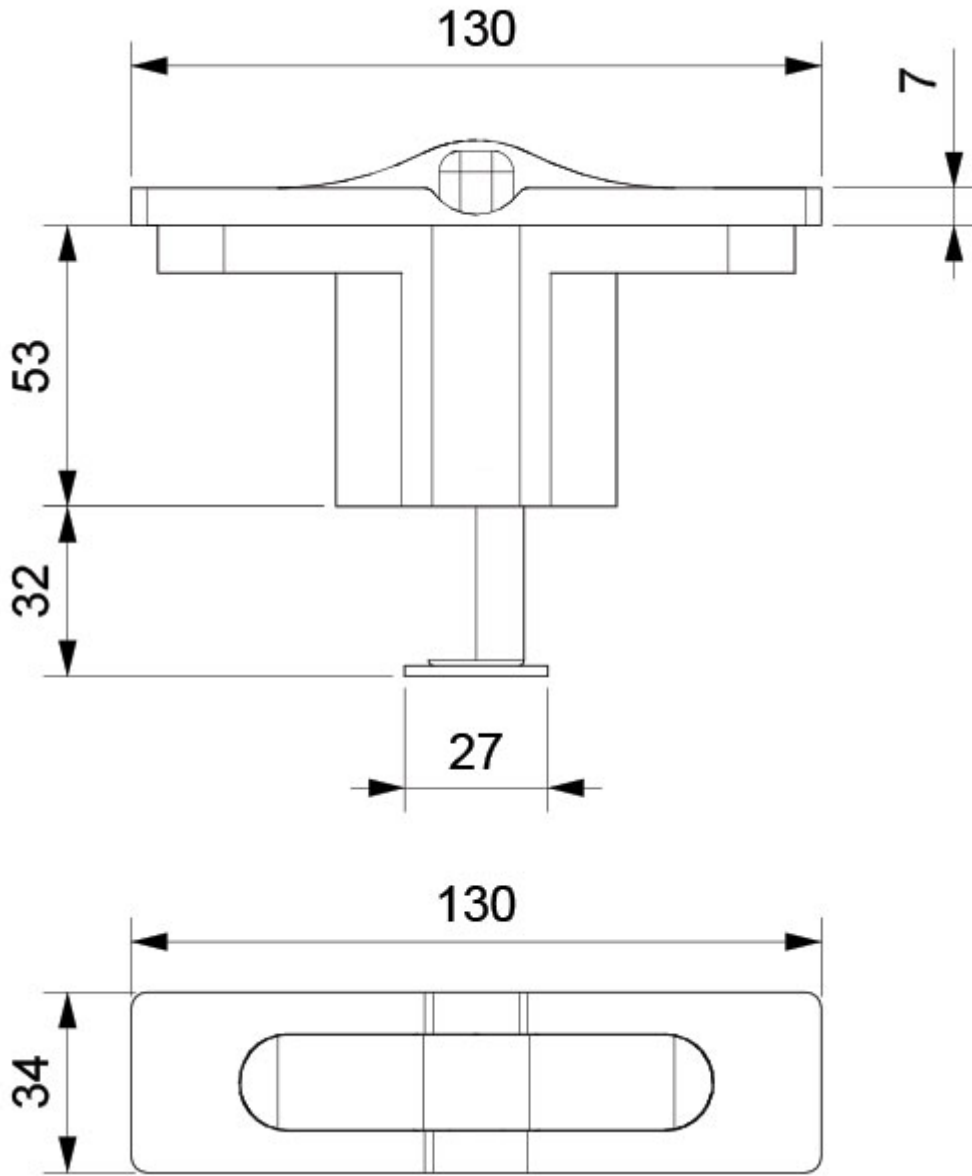
All Versari & Delmonte products are machined from solid. Using the latest CNC machining techniques, products are shaped from billet material, offering the ultimate in terms of strength, durability and finish. Working with both aluminium and 316-grade stainless steel, the items are suited to a wide range of applications.











Additional Information

Weight (kg)	0.350000
Manufacturer	Foresti & Suardi
Depth (mm)	80
Length (mm)	130
Width (mm)	34

Product Options

Finish: Anodised Aluminium

Black Anodised Aluminium & Black Leather

