



Approved PW2-BN Horn With Compressor - 12-20m

From

£589.74

Excl. Tax: £491.45

Product Images



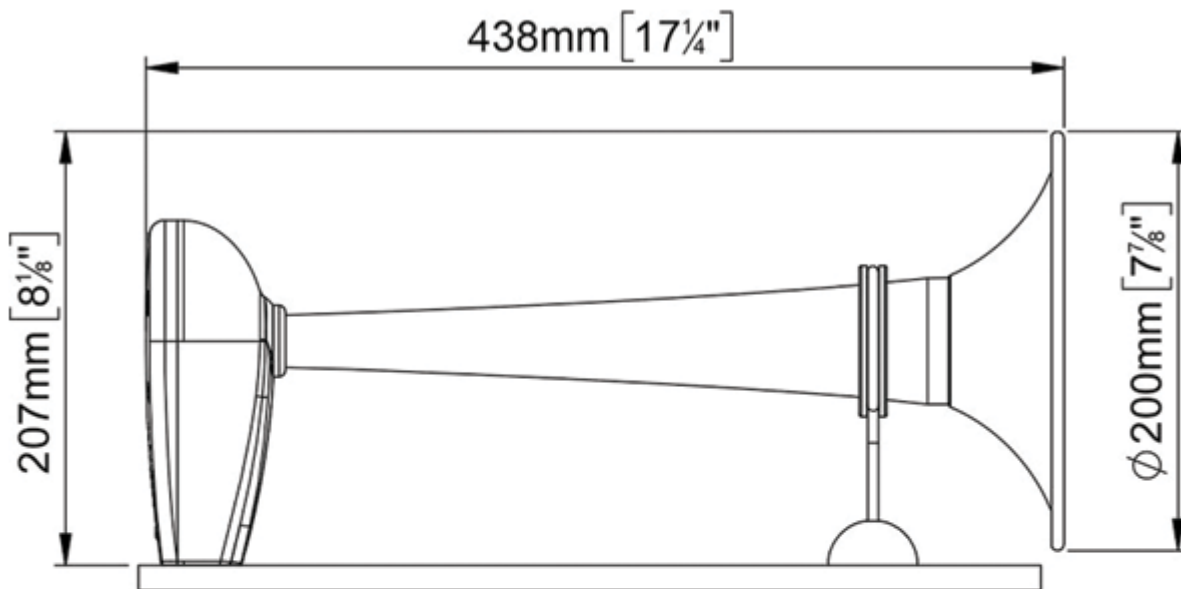
Short Description

The *PW2-BN* horn by Marco is an insurance approved air horn for vessels from 12 to 20 metres in length. The horn is sold complete with the required compressor in either 12Vdc or 24Vdc. The horn features a Ø200mm trumpet and has a powder coated black finish. It also meets the COLREG 1972 IMO class IV regulations.

The *PW2-BB* is approved by the following bodies: RINA, LLOYD'S REGISTER MCA and BUREAU VERITAS, NMMA ABYC A-23.

Please note this is not a stocked product and does carry an approximate lead time of 4 weeks.

Description



H 207 x L 438 x W 200
H 8 1/8" x L 17 1/4" x W 7 7/8"

Additional Information

| | |
|-------------------|---------------------|
| Finish | Black |
| Power Consumption | 20 Amps |
| Horn Type | Compressed Air Horn |
| dB (1/3 OCT. 1M) | >120 |
| Vessel Approval | 12-20m |
| Hz | 315.00 |
| Weight (kg) | 4.620000 |
| Manufacturer | Marco |

Product Options

| | |
|----------------|-------|
| Input Voltage: | 12Vdc |
| | 24Vdc |

