



Approved PW3-BN Horn With Electronic Valve - 20-75m

From

£629.47

Excl. Tax: £524.56

Product Images



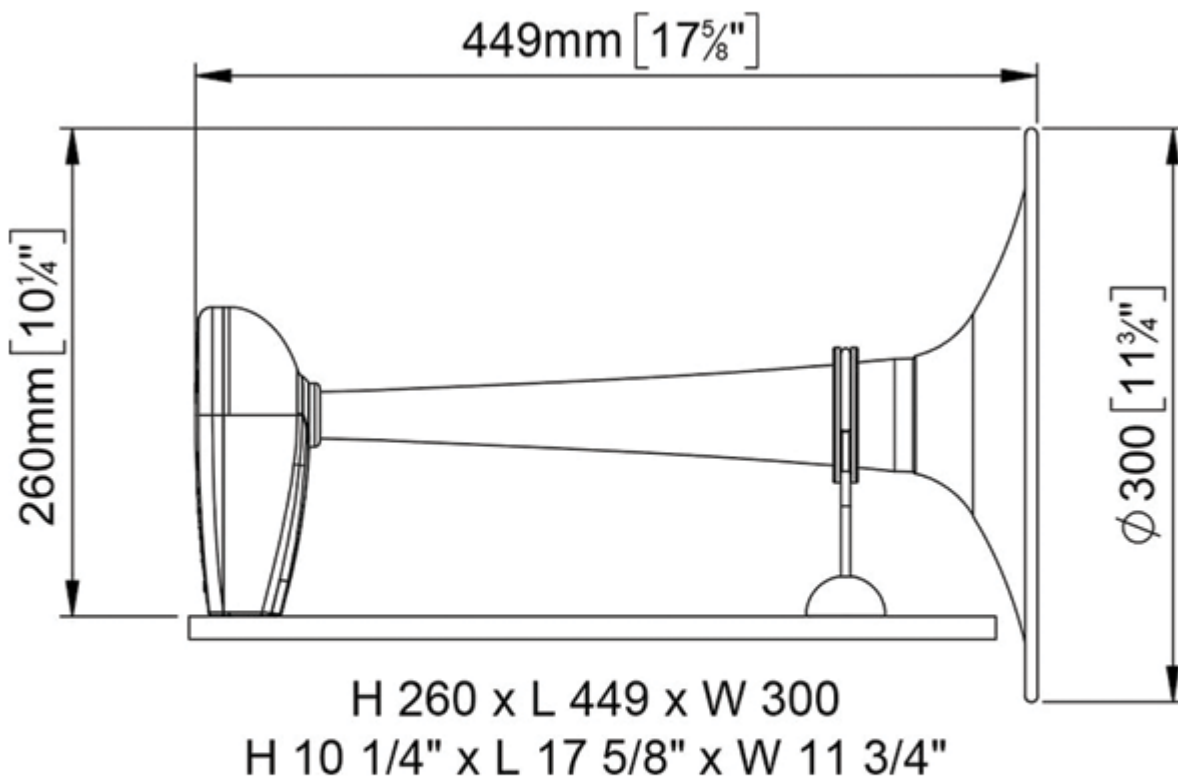
Short Description

The PW3-BN horn by Marco is an insurance approved air horn for vessels from 20 to 75 metres in length. The horn is sold with an electronic valve and must be used in conjunction with a 6-12 bar air compressor such as the Marco M3 (sold separately). The horn features a Ø300mm trumpet and has a powder coated black finish. It also meets the COLREG 1972 IMO class III regulations.

The PW3-BN is approved by the following bodies: RINA, LLOYD'S REGISTER MCA and BUREAU VERITAS, BSH and NMMA.

Please note this is not a stocked product and does carry an approximate lead time of 4 weeks.

Description



Additional Information

Finish	Black
Power Consumption	4.5 Amps
Horn Type	Compressed Air Horn
dB (1/3 OCT. 1M)	132.00
Vessel Approval	20-75m
Hz	315.00
Weight (kg)	2.420000
Manufacturer	Marco

Product Options

Input Voltage:	12Vdc
	24Vdc

