



Machined Stainless Steel Pop-up Cleat

Product Images



Short Description

Pop-up cleat machined from 316-grade stainless steel.

Versari & Delmonte is a name synonymous with quality. This pop-up cleat is no exception. Machined from 316-grade stainless steel, the cleat is manufactured for the ultimate resistance to corrosion and for a high load capacity and is offered in three sizes. Please consult the drawings for dimensional information.

The cleat retracts completely into its housing when not in use, resulting in a completely flush finish and a safe and clear deck free from trip hazards.

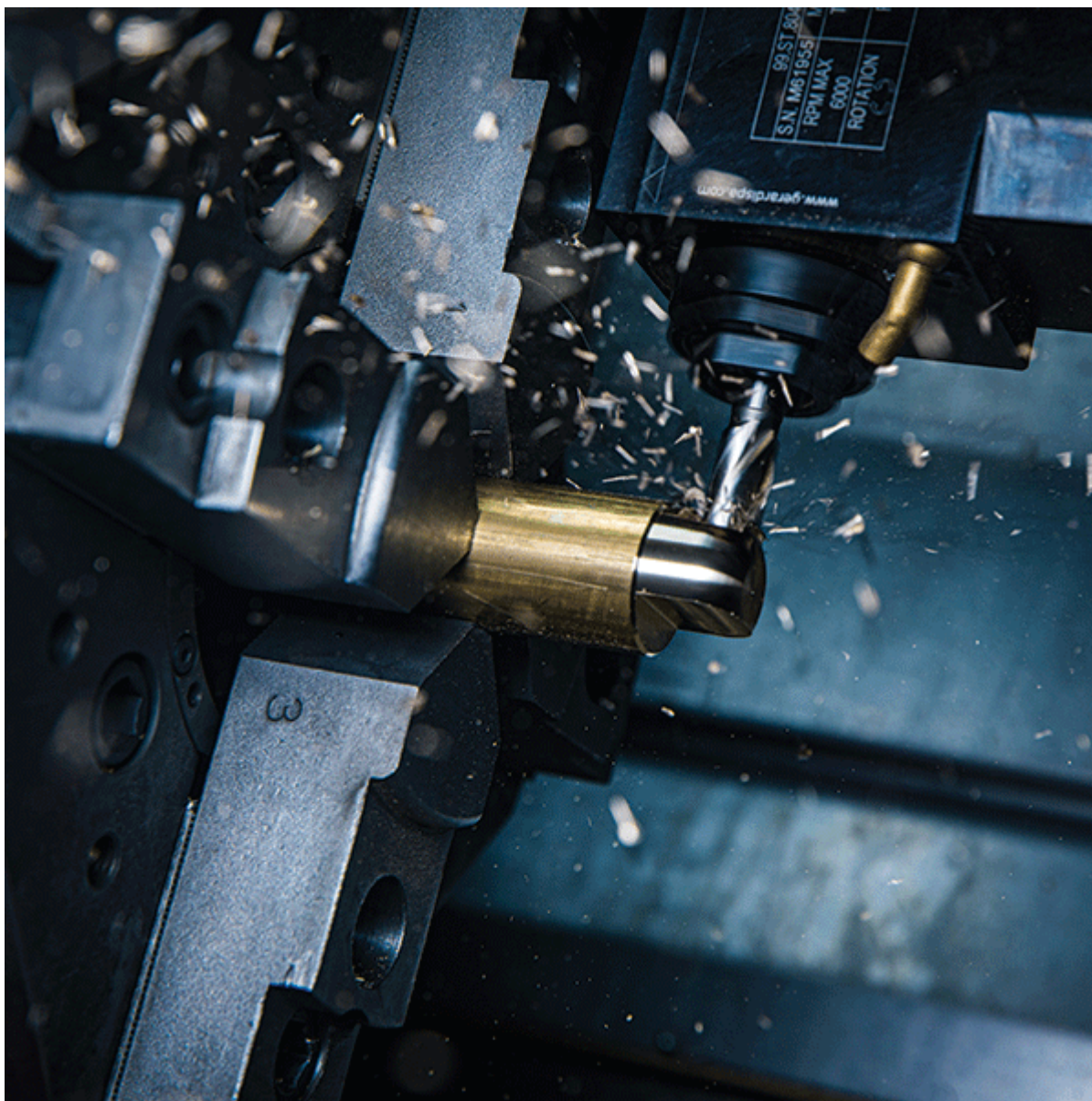
This cleat is produced to order, please contact us to discuss lead time and pricing.

Description

In 2022, Foresti & Suardi acquired the iconic Versari & Delmonte Brand and created the Versari Collection of machined yacht hardware.

VERSARI
COLLECTION

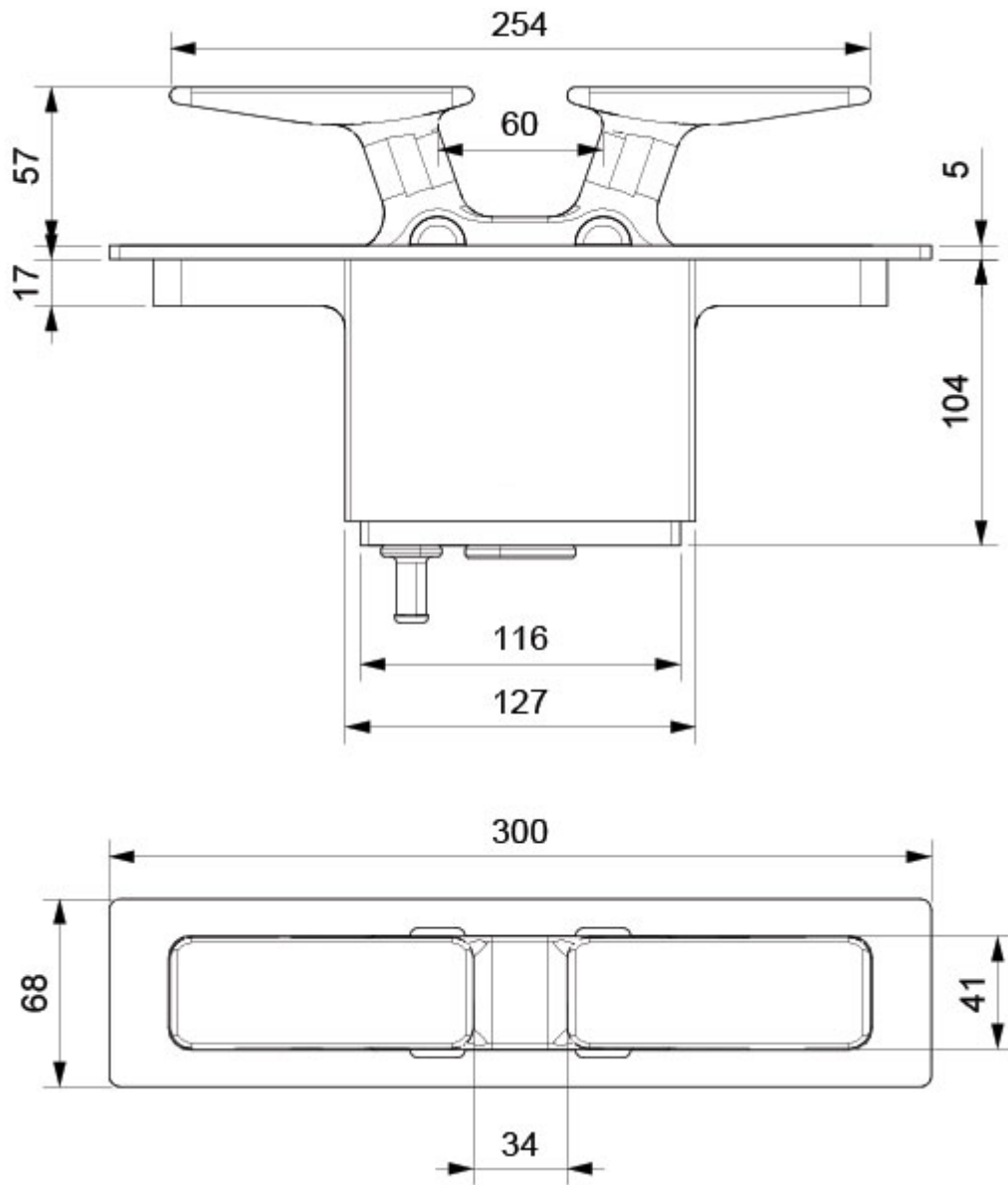




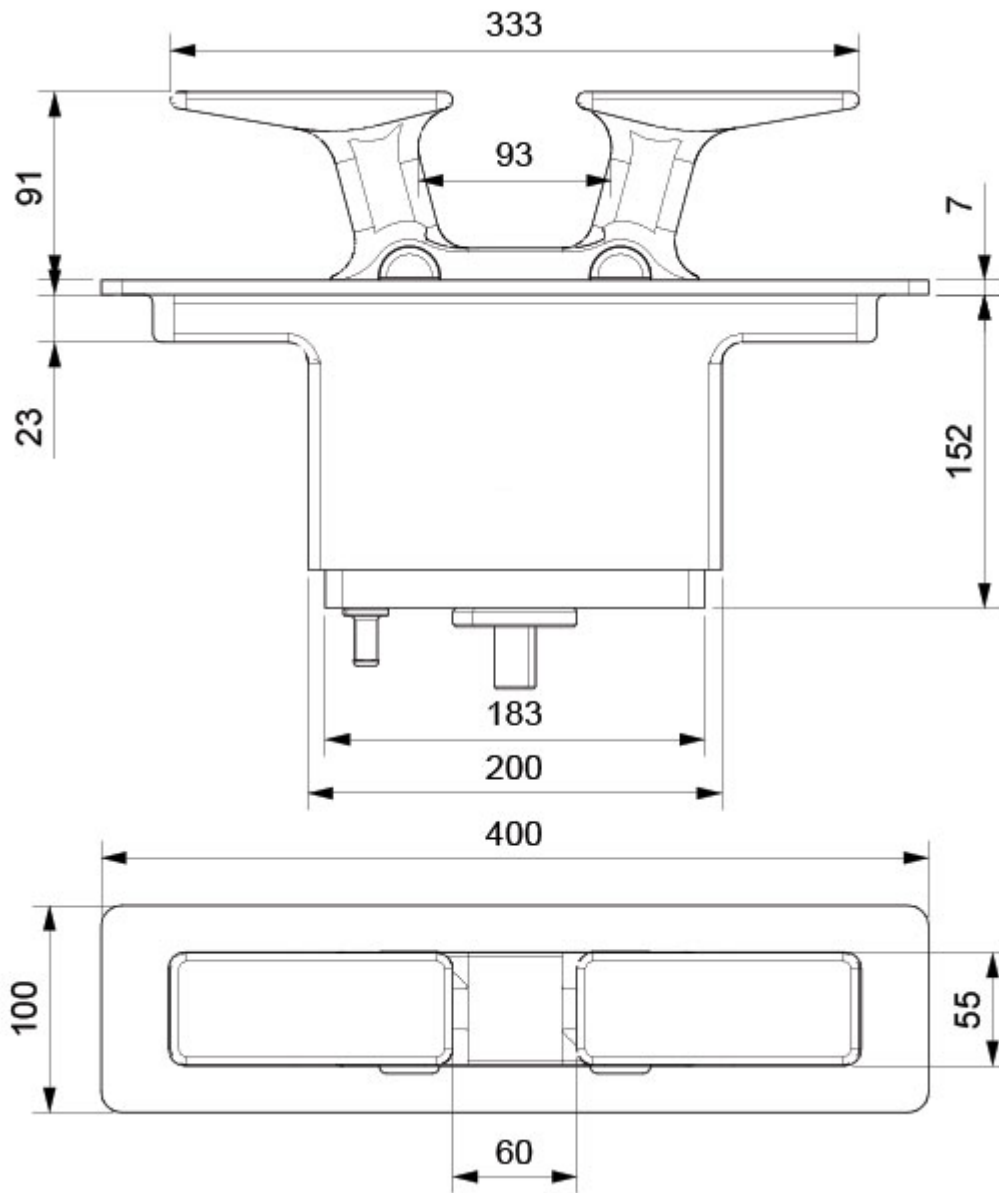
All Versari & Delmonte products are machined from solid. Using the latest CNC machining techniques, products are shaped from billet material, offering the ultimate in terms of strength, durability and finish. Working with both aluminium and 316-grade stainless steel, the items are suited to a wide range of applications.



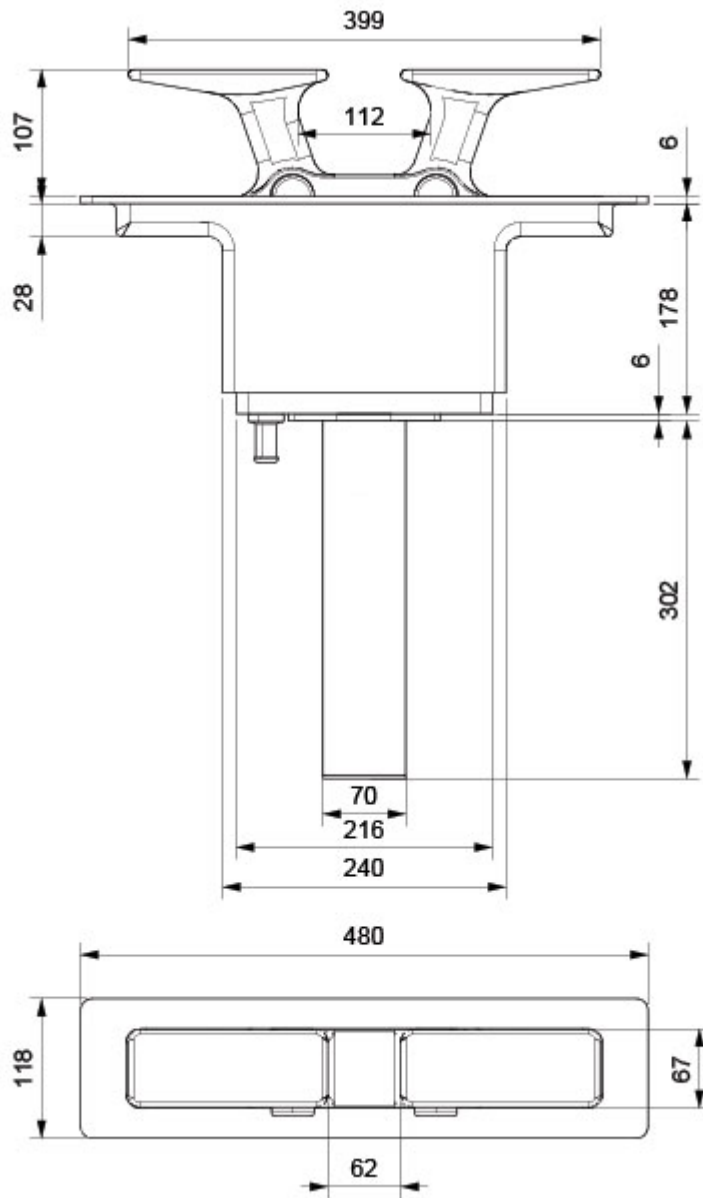




VD3270SS



VD3272SS



VD3273SS

Additional Information

| | |
|--------------|---------------------|
| Finish | 316 Stainless Steel |
| Manufacturer | Foresti & Suardi |
| Weight (kg) | 4.700000 |

