



# '2370' Telescopic Under-platform Ladder

Regular Price

**£802.75** Special Price

**£600.00**

Excl. Tax: **£500.00**

## Product Images



## Short Description

### 3 step ladder with iroko treads, in a watertight box

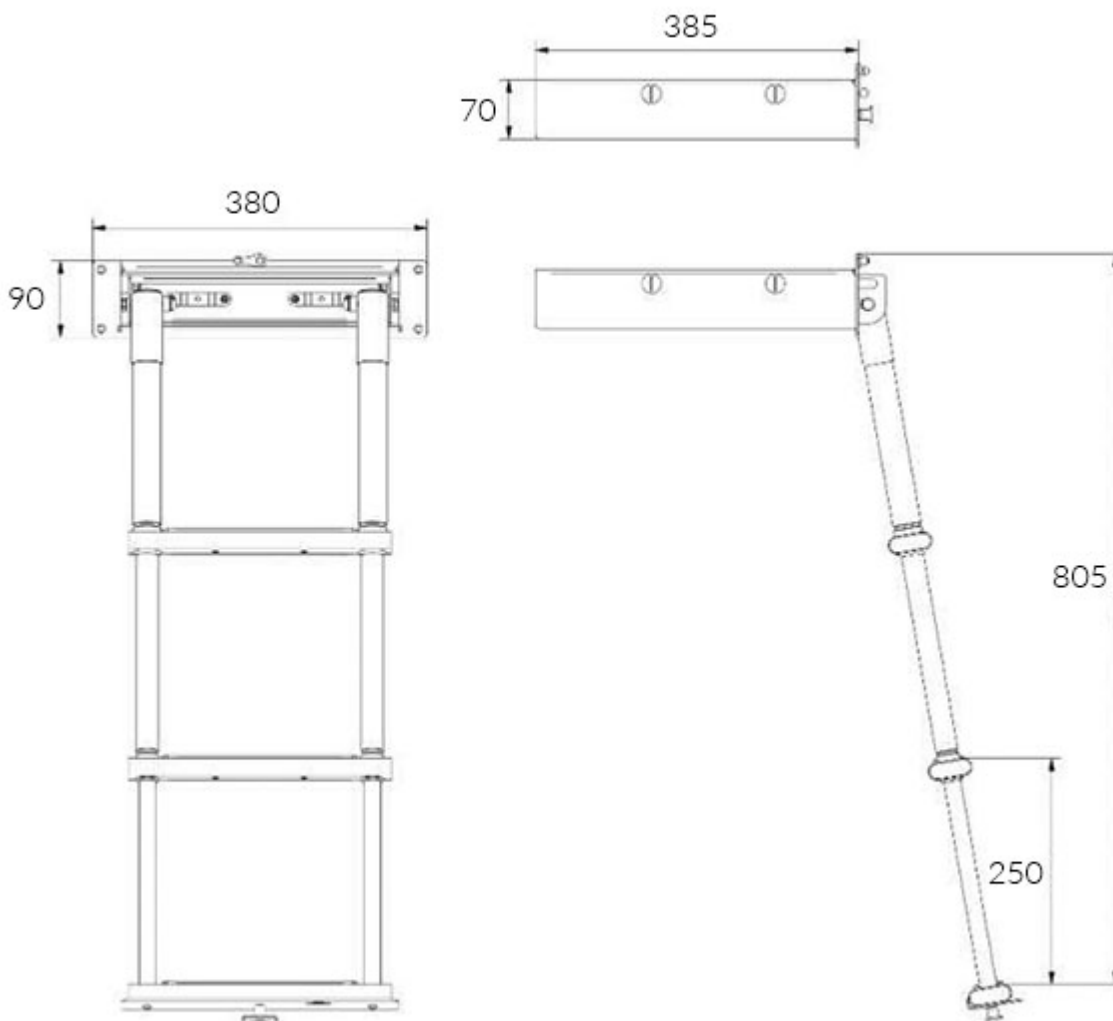
The '2370' telescopic under-platform ladder is a high-quality bathing ladder designed for easy access to and from your vessel. Crafted from mirror-polished 316-grade stainless steel, it comes securely housed in a watertight box, ensuring durability and protection from the elements.

The ladder features three iroko treads, with water-draining holes and welded stainless steel side caps for added strength and safety. A locking lid prevents deployment during sailing, providing peace of mind on the water. Made in Italy by Nautinox Milano, this ladder is now priced to clear as the iroko treads have been replaced by EVA foam in the updated version.

- 2370 telescopic under-platform ladder
- Housed in a watertight box
- Constructed from mirror-polished 316-grade stainless steel
- Locking lid prevents deployment during sailing
- 3 steps with iroko treads, water-draining holes, and welded stainless steel side caps
- Made in Italy by Nautinox Milano
- Priced to clear

## Description

---



## Additional Information

---

Retracted Length (mm)	805.00
Cassette Height (mm)	70.00
Cassette Length (mm)	385.00
Cassette Width (mm)	380.00
Rung Spacing (mm)	250.00
Operation Type	Manual
Weight (kg)	13.000000
Manufacturer	Nautinox

