



Recessed Tank Air Vent - 90° Angle

From
£23.72

Excl. Tax: £19.77

Product Images

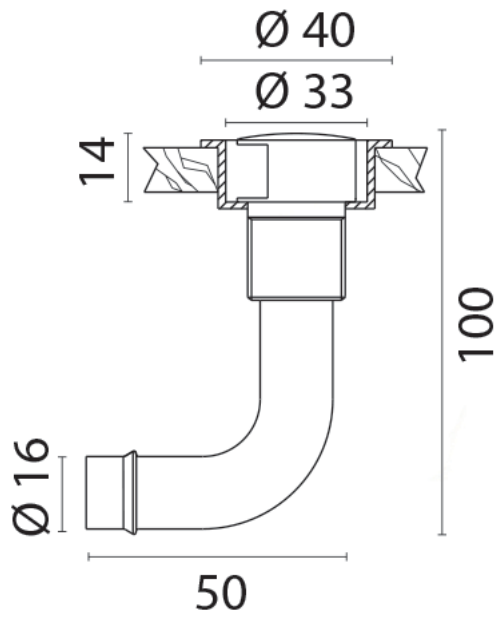


Short Description

A pressure die cast brass tank air vent with anti-flame gauze. This product can be supplied in a polished brass or chrome plated finish and features a Ø16mm hose connection set at a 90° angle. There is both a right hand and left hand version of this product.

Recessed tank vents are suitable for minimum thickness of 2mm to a maximum thickness of 12mm.

Description



Additional Information

Weight (kg)	0.140000
Manufacturer	Foresti & Suardi
Hose Connection	$\text{Ø} 16\text{mm}$

Product Options

Finish:	Chrome
	Brass
Handing:	Left
	Right

