



Recessed Tank Air Vent - 90° Angle

From

£32.46

Excl. Tax: £27.05

Product Images

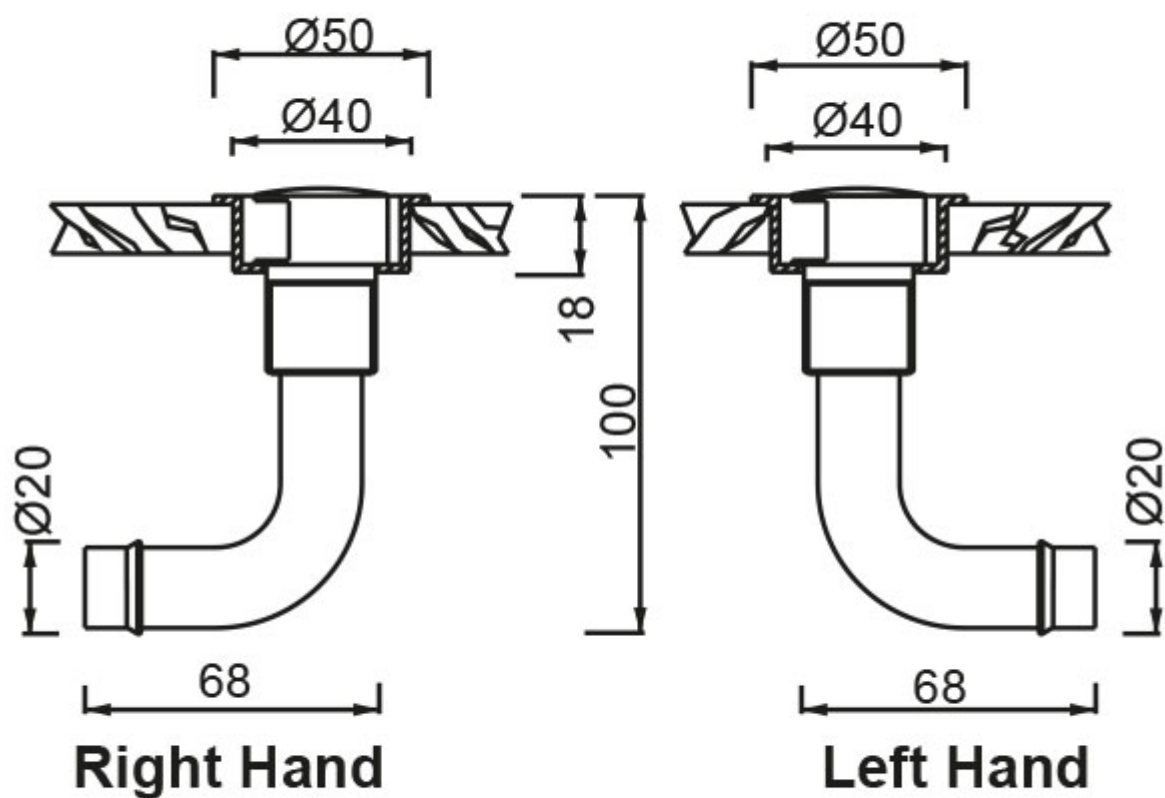


Short Description

A pressure die cast brass tank air vent with anti-flame gauze. This product is supplied in a chrome plated finish and features a Ø22mm hose connection set at a 90° angle. There is both a right hand and left hand version of this product.

Recessed tank vents are suitable for minimum thickness of 2mm to a maximum thickness of 12mm.

Description



Additional Information

Weight (kg)	0.310000
Manufacturer	Foresti & Suardi
Finish	Chrome
Hose Connection	$\text{Ø}22\text{mm}$

Product Options

Handing:

Left

Right

