



Mini Push Button Latch

From
£18.01

Excl. Tax: £15.01

Product Images



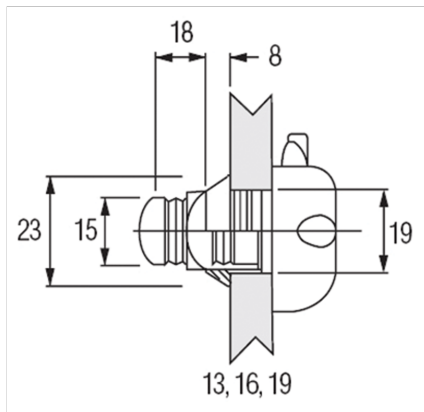


Image coming soon

Short Description

Solid brass knob and ferrule (push button).

- Supplied complete with small mechanism.
- Suitable for 13, 16 and 19mm panel thickness.
- Mechanism available in brown or white.
- Available in polished brass, chromed brass and satin chrome finish.

Other finishes available on request, a minimum order quantity may apply.

Additional Information

Base Diameter (mm)	23
Protrusion (mm)	26
Handle Width (mm)	15.00 Ø
Max. Panel Thickness (mm)	19
Manufacturer	Foresti & Suardi
Weight (kg)	0.030000

Product Options

Finish:	Chrome
	Brass
	Satin Chrome
Mechanism Colour:	White
	Brown

