

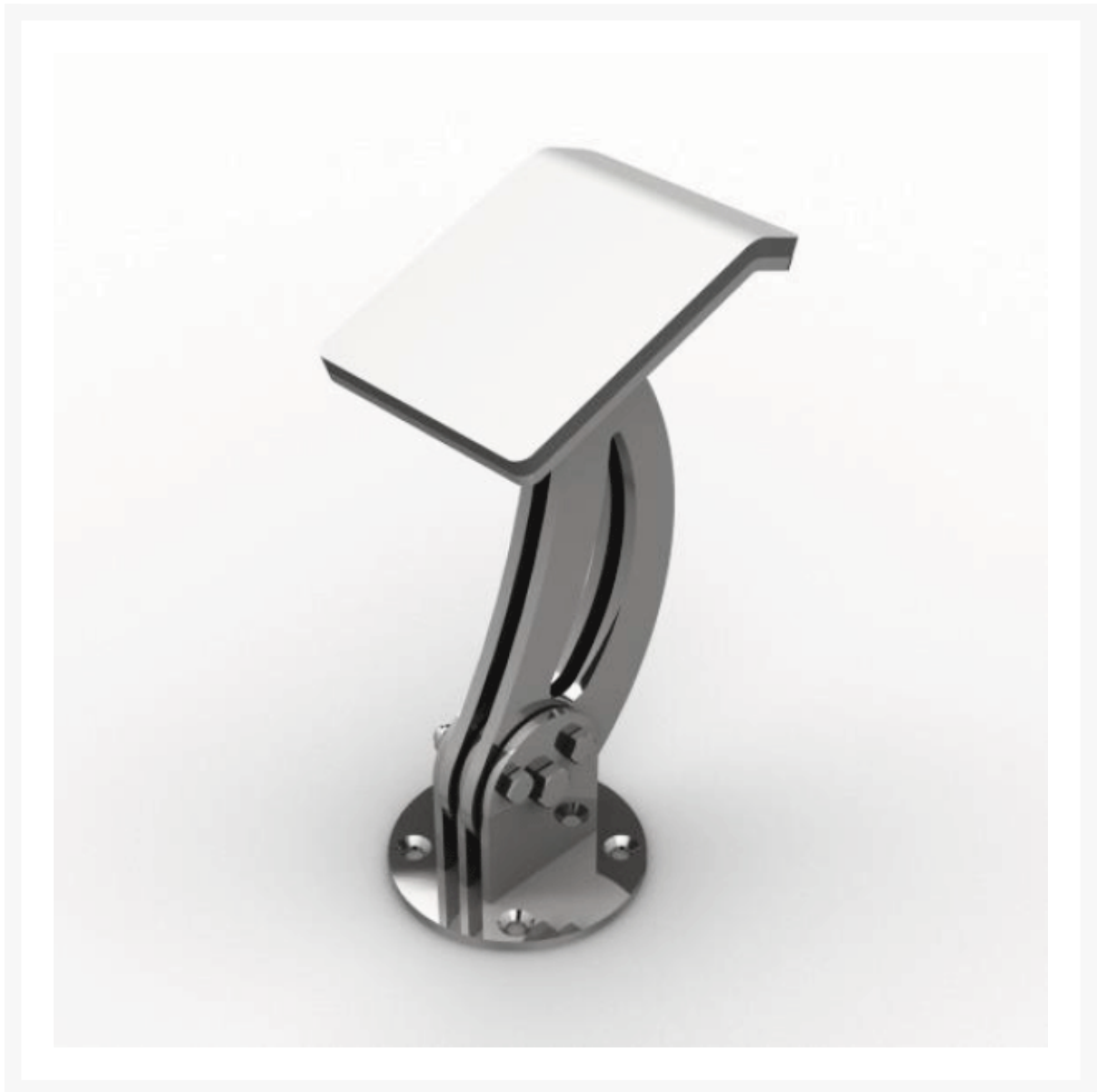


Stainless Steel Double Arm Tender Support - Fixed

£389.48

Excl. Tax: £324.57

Product Images



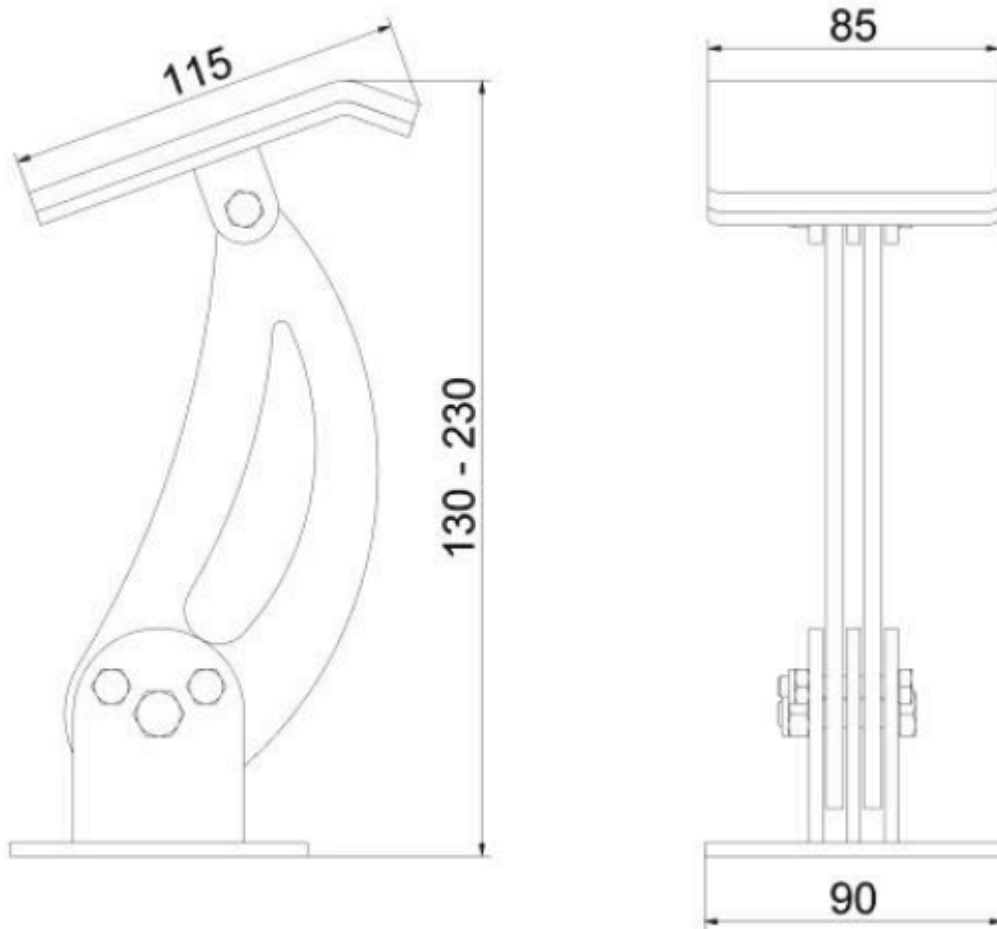
Short Description

316 grade stainless steel tender chock with adjustable support. The angle of the support can be adjusted manually depending on the hull shape and the fixed in place with a nut and bolt. Minor adjustments can also be made with the support pad which is also manually adjustable and rotates freely.

The support pads are covered in a rubber material so that they do not damage the tender's hull. The holder can fit a multitude of hard hull designs such as tenders, watercraft or Jet Skis. This product is designed to be permanently fixed to the deck, a removable version is also available.

Suggested layout depending on the weight to be held: Below 200Kg 1 double arch 2510 stern+ one double arch 2510 bow; From 200Kg to 250Kg 2 double arch 2505 stern+ one double arch 2510 bow; from 250Kg to 300Kg 2 double arch 2505 stern+ 2 single arch 2500 bow; Over 300Kg 2 double arch 2505 stern+ 2 double arch 2505 bow.

Description



Additional Information

Weight (kg)	2.500000
Manufacturer	Nautinox
Finish	316 Stainless Steel
Base Diameter (mm)	90.00
Maximum Load (kg)	160.00

