



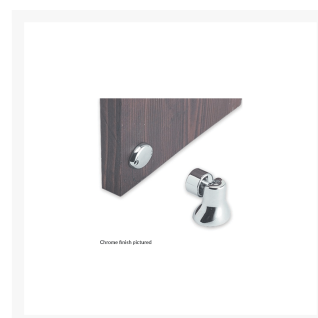
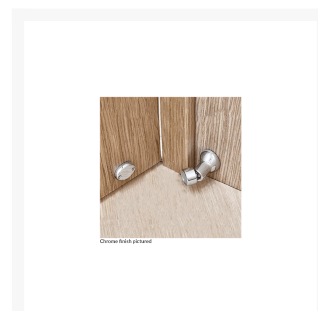
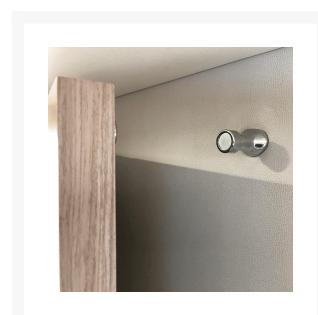
Adjustable Magnetic Door Holder

From

£37.75

Excl. Tax: £31.46

Product Images







Short Description

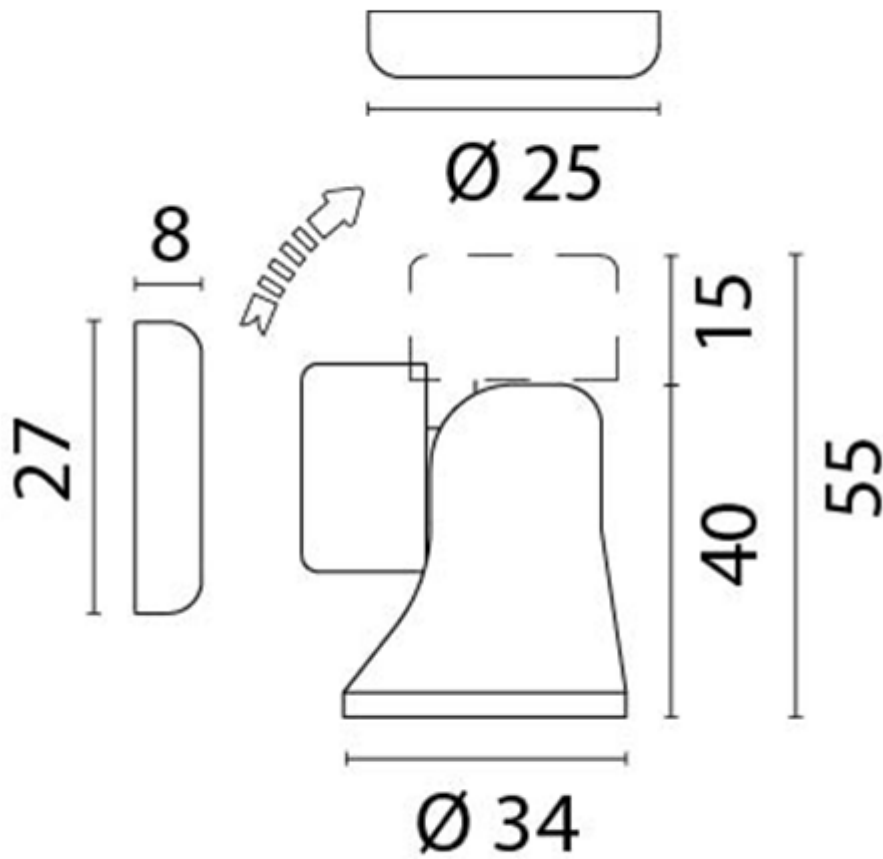
Pressure die cast brass door holder.

- Available in either a polished brass or chromed brass finish.
- Supplied with magnet keeper - magnet strength 3.50KG.
- Suitable for floor or bulkhead mounting.
- Fastened by a single concealed fixing point.

Please note fittings are not included.

Description

- [Drawing](#)
- [How To](#)



Additional Information

Keeper Length (mm)	27
Keeper Width (mm)	8
Base Diameter (mm)	34
Base Length (mm)	40
Manufacturer	Foresti & Suardi
Weight (kg)	0.250000

Product Options

Finish:	Chrome
	Brass
	Satin Chrome
	Black

