



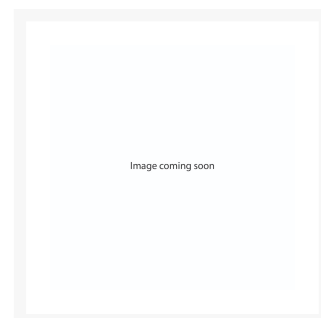
Adjustable Magnetic Door Holder - 7.5Kg

From

£58.03

Excl. Tax: £48.36

Product Images



Short Description

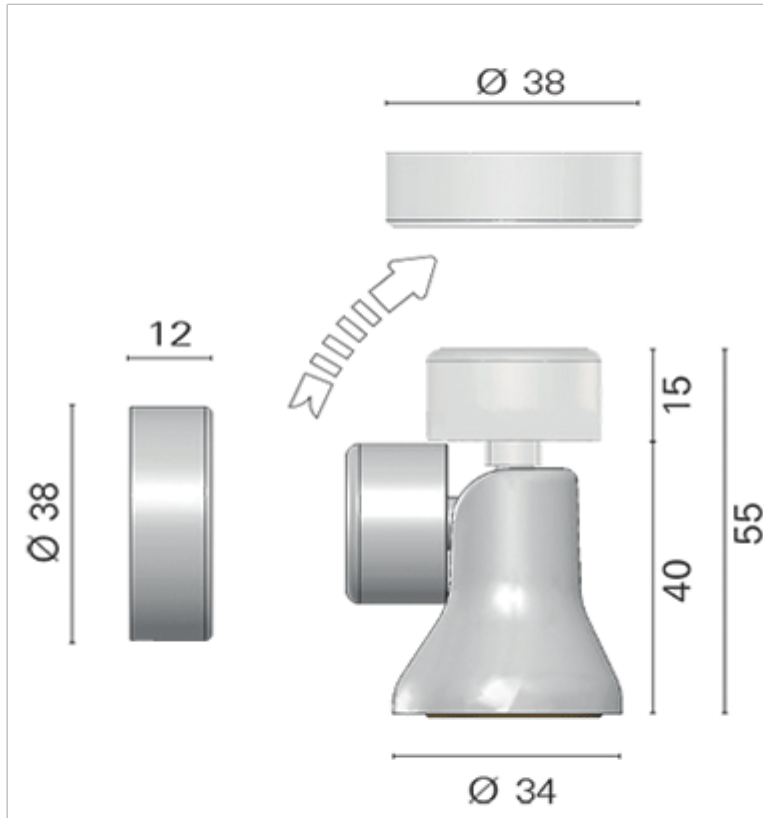
Pressure die cast brass door holder.

- Available in either a polished brass and chromed brass finish.
- Supplied with magnet keeper - magnet strength 7.5KG.
- Suitable for floor or bulkhead mounting.
- Fastened by a single concealed fixing point.

Please note fittings are not included.

Description

- [Drawing](#)
- [How To](#)



Additional Information

Keeper Length (mm)	38
Keeper Width (mm)	12
Base Diameter (mm)	34
Base Length (mm)	40
Manufacturer	Foresti & Suardi
Weight (kg)	0.310000

Product Options

Finish:	Chrome
	Brass

