



Hatch Locking Device - Compression

From
£79.70

Excl. Tax: £66.42

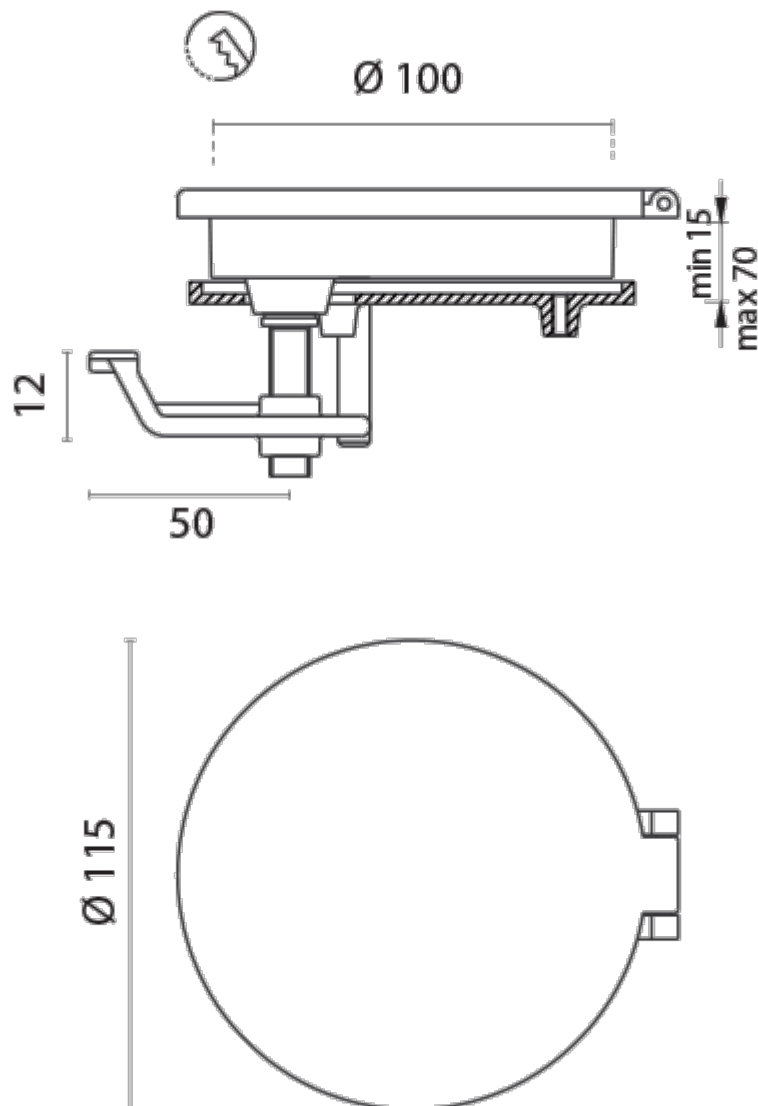
Product Images



Short Description

Pressure die cast brass hatch lock with cam compression function in either a brass or chrome plated finish. The compression function of this hatch lock means that it is ideal for use on watertight closures where a seal needs to be correctly compressed in order to prevent water ingress. The product is available in two versions, either with or without a cylinder lock. The cylinder lock simply prevents the handle from being lifted. The hatch lock is supplied with a backing plate which is secured to the hatch lock itself with M3 fixings (not supplied).

Description



Diameter (mm)	115.00
Weight (kg)	1.040000
Manufacturer	Foresti & Suardi
Min. Panel Thickness	15.00
Cut-out Size (mm)	Ø100.00
Stud Fixing	M3

Product Options

Finish:	Chrome
	Brass
Version:	With Lock
	Without Lock



Additional Information