



Push Button Mechanism

From

£6.01

Excl. Tax: **£5.01**

Product Images

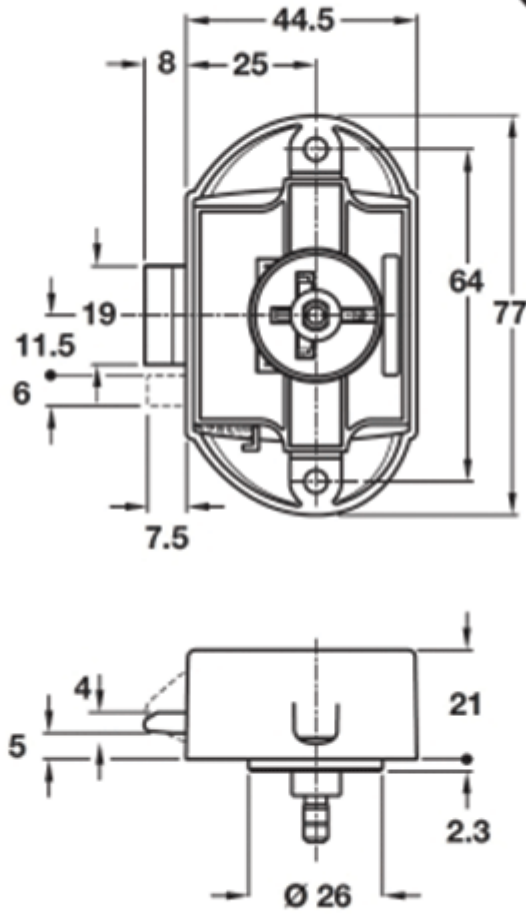


Short Description

A push button mechanism with a plastic body and metal internal parts. Supplied in a brown or nickel finish. Suitable for use with our range of push button knob and ferrules (45*00, 44*00, 43*00, 43*00, 35*00, 253*00 & 181*00).

Description

309400/11



Additional Information

Finish	Chrome
Manufacturer	Foresti & Suardi
Weight (kg)	0.040000

Product Options

Colour:

Brown

Nickel Effect

