



Folding Bunk Bed Hinge - Painted Steel

From
£654.86
Excl. Tax: £545.72

Product Images

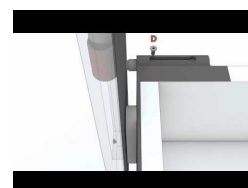
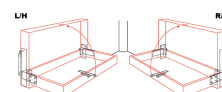
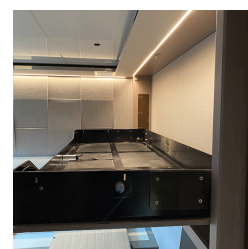




Image coming soon

Short Description

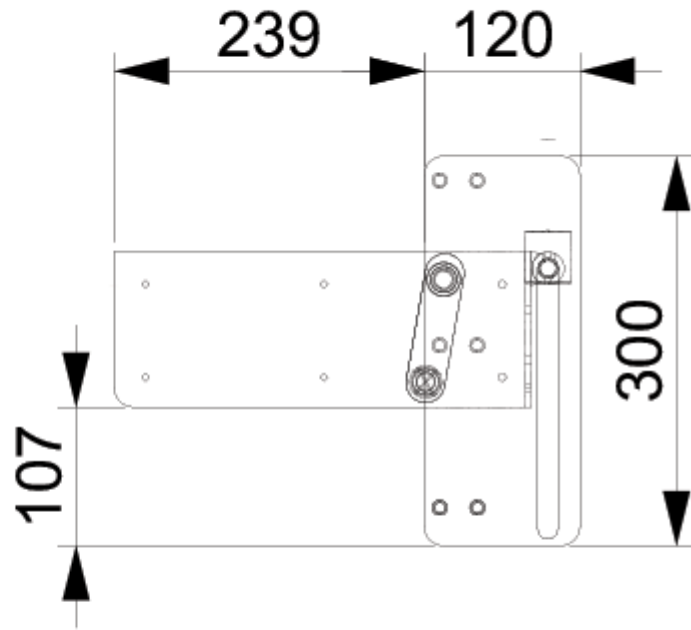
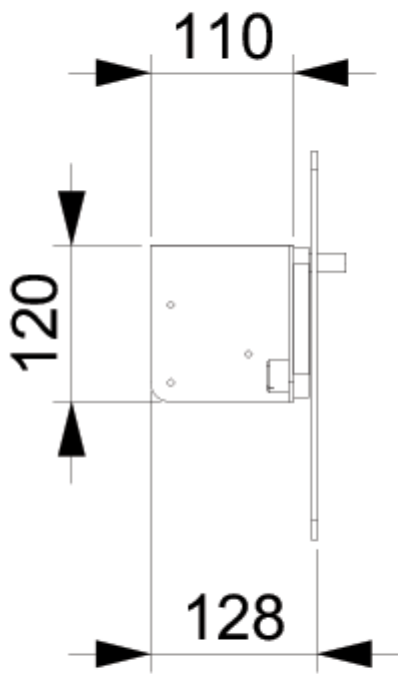
Pair of painted steel bunk hinges.

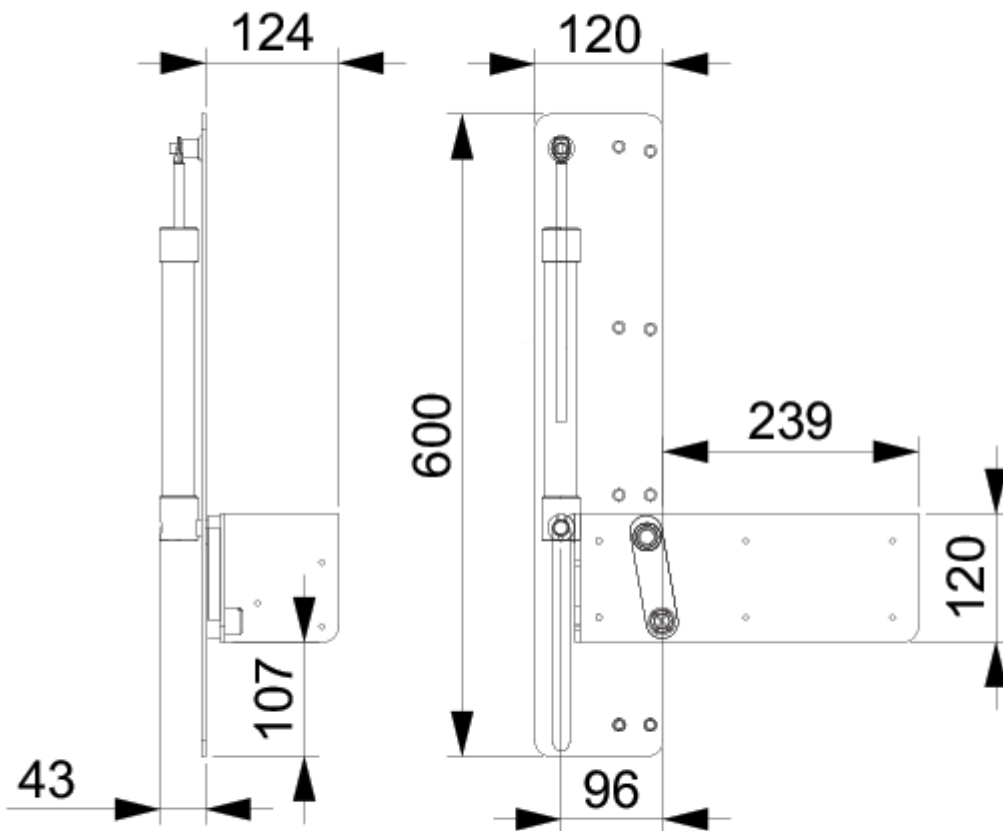
- Made from painted steel for structural integrity
- Sold complete with 334300C damper
- Interior application only

Please refer to video for full list of product measurements or see drawings below.

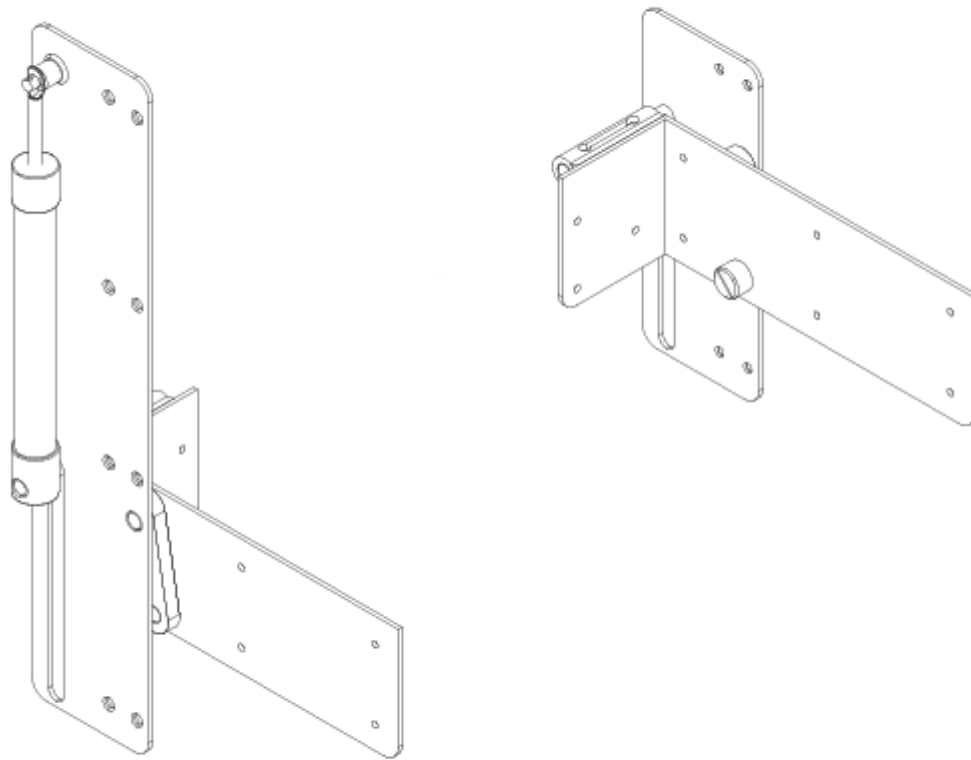
Description

Product Drawing





The 3344 bunk bed hinge mechanism is designed to handle a single bed, along its longest edge, with no additional support required. The mechanism is sold complete with a damper in order to help control the lowering weight. For strength reasons, the product is manufactured from steel and protected with a painted finish. The product is frequently used in the yacht and cruise ship industry as well as in apart-hotel land based projects where a temporary bed may be required. The handing of the product is determined by the side on which the damper is fixed when viewing the product installed.



Steel bunk hinge mechanism with incorporated damper (left hand drawn)

Additional Information

Height (mm)	600
Width (mm)	120
Finish	Powder Coated Steel
Manufacturer	Razeto & Casareto
Weight (kg)	9.300000

Product Options

Handing:

Left

Right

