



# Mortise Lock With Deadlock

From

**£95.57**

Excl. Tax: £79.64

## Product Images



## Short Description

A marine-grade mortise door lock made from brass. This door lock features a keylock and is supplied with two keys.

This lock is available in a brass or chrome plated brass finish and is supplied complete with a matching striker plate. The lock is supplied either as a left or right hand lock and therefore it is important to identify the

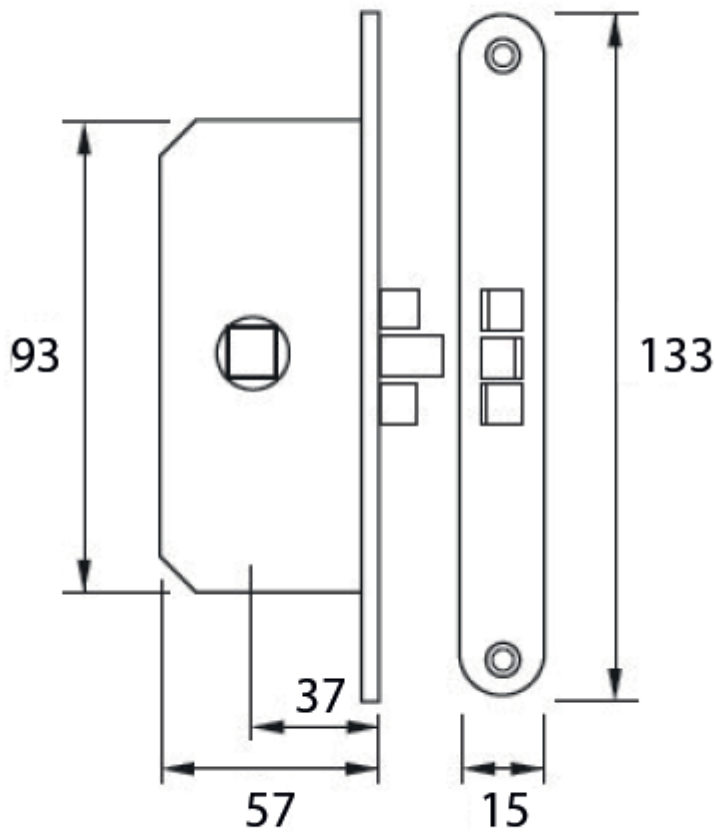
correct handing before purchase. Please refer to our lock handing diagram in order to help you.

The lock contains an internal handle righting spring which will help to return the door handle to a horizontal position after use. For heavy handles, it is recommended that an additional handle rose spring be used in conjunction with this latch.

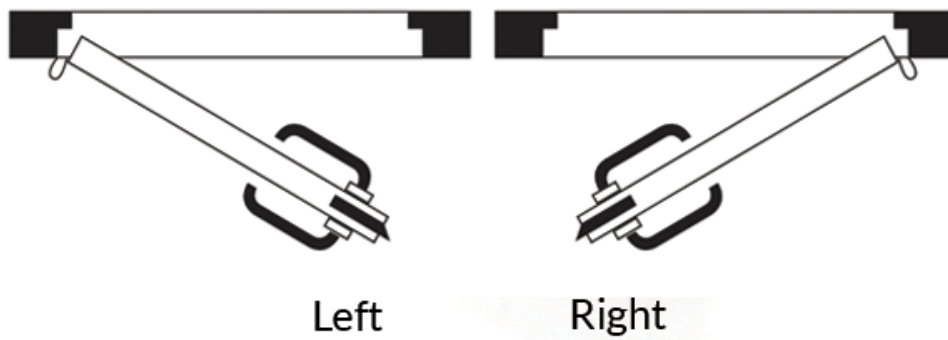
Please refer to door handing diagram in the *Details* tab in order to identify the correct handing required.

## Description

---



## Interior



## Additional Information

Keeper Length (mm)	110.00
Keeper Width (mm)	30.00
Lock Type	Mortise Lock
Spindle (mm)	8
Latch Length (mm)	57.00
Latch Height (mm)	93.00
Latch Width (mm)	12.00
Lock Backset (mm)	37.00
Face Plate Width (mm)	15.00
Face Plate Length (mm)	133.00
Manufacturer	Razeto & Casareto
Weight (kg)	0.290000

# Product Options

---

Finish:	Chrome
	Brass
Version:	Left Hand
	Right Hand

