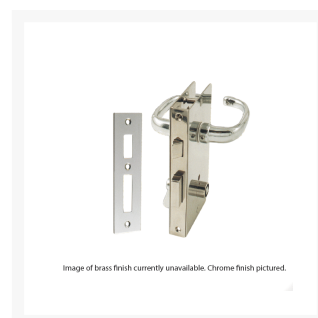




Mortise Lock for Plywood Doors

From
£153.46
Excl. Tax: £127.88

Product Images





Left hand lock pictured. Image of right hand in brass finish coming soon.

Short Description

A pressure die cast brass mortise lock for plywood doors, available in a polished brass and a chrome plated finish. This lock is suitable for 15mm thick doors and is supplied complete with handles, escutcheon plates and fastening screws.

The 401715 is suitable for toilets and bathrooms as it is lockable from inside but, in case of emergency, access can be made from outside with a special key. The red engaged dial is fitted to the outside face plate. Chrome locks are supplied with stainless steel escutcheon plates.

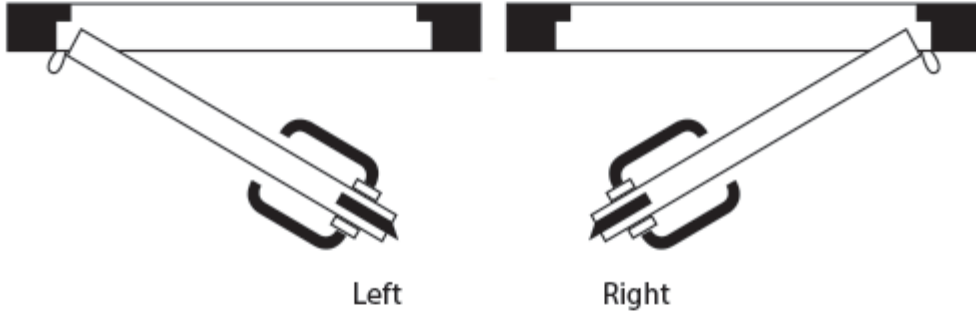
Overall Dimensions - 133 x 70mm

Striker Plate Dimensions - 133 x 15mm

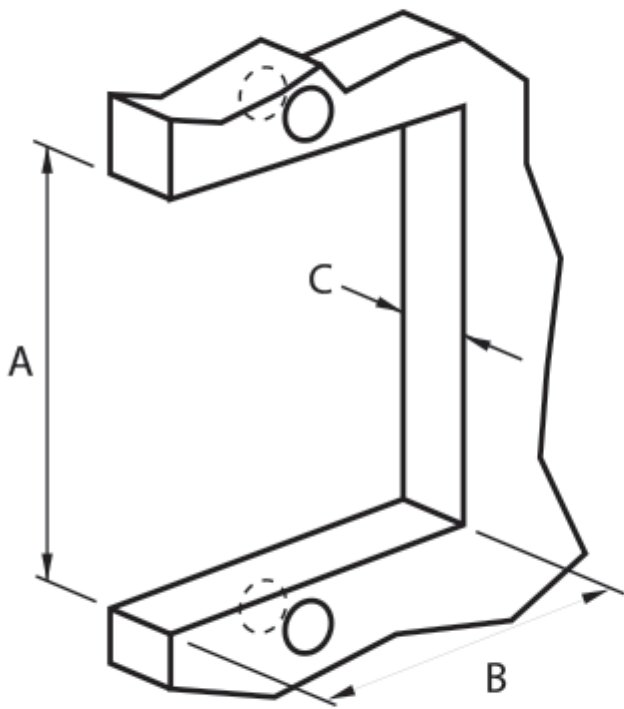
Description

Handing

Cabin



Cut Out Dimensions



ART.4017
 A - 95 mm
 B - 58 mm
 C - 15 mm

Additional Information

Lock Type	Mortise Lock
Lock Backset (mm)	37.00
Face Plate Width (mm)	15.00
Face Plate Length (mm)	133.00
Door Thickness (mm)	15.00
Manufacturer	Razeto & Casareto
Weight (kg)	0.650000

Product Options

Finish:	Chrome
	Brass
Handing:	Left
	Right

