



# External Door Lock

From  
**£127.13**

Excl. Tax: £105.94

## Product Images



## Short Description

A pressure die cast brass external door lock, available in a polished brass and a chrome plated finish.

Overall Dimensions - 133L x 70D mm

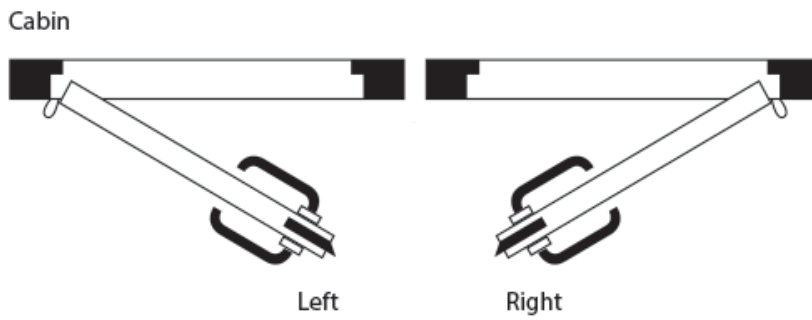
Case Dimensions - 95L x 58D mm

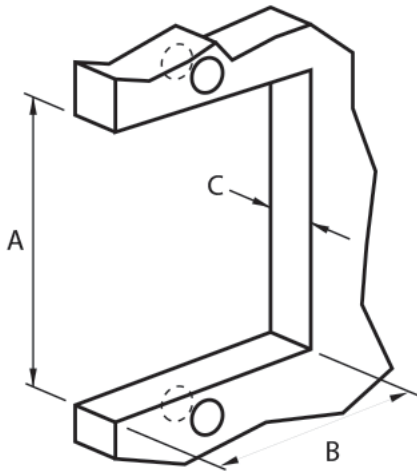
Face Plate Dimensions - 133L x 15W mm

Set supplied complete with striker plate, two keys, handles, escutcheon plates and fastening screws. Suitable for main entrance doors. Chrome locks are supplied with stainless steel escutcheon plates.

## Description

---





ART.4018  
A - 95 mm  
B - 58 mm  
C - 12 or 15 mm

## Additional Information

Length (mm)	133.00
Depth (mm)	70.00
Lock Type	Mortise Lock
Spindle (mm)	8
Face Plate Width (mm)	15.00
Face Plate Length (mm)	133.00
Manufacturer	Razeto & Casareto
Weight (kg)	0.650000

## Product Options

---

Finish:	Chrome
	Brass
Handing:	Left
	Right
Version:	12mm Door Thickness
	15mm Door Thickness

