



Internal Door Latch

From

£103.97

Excl. Tax: **£86.64**

Product Images



Short Description

A pressure die cast brass internal door latch, available in a polished brass and a chrome plated finish.

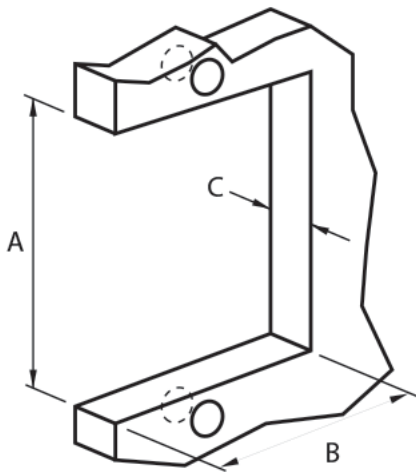
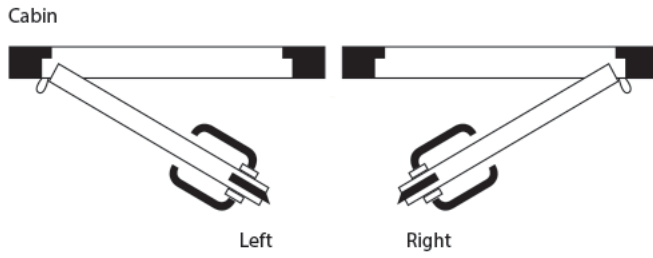
Overall Dimensions - 133L x 70D mm

Case Dimensions - 95L x 58D mm

Face Plate Dimensions - 133L x 15W mm

Set supplied complete with striker plates, escutcheon plates and fastening screws. Suitable for internal doors. Chrome locks are supplied with stainless steel escutcheon plates.

Description



ART.4019
A - 95 mm
B - 58 mm
C - 12 or 15 mm

Additional Information

Length (mm)	133.00
Width (mm)	70.00
Lock Type	Mortise Lock
Spindle (mm)	8
Latch Length (mm)	95.00
Latch Width (mm)	58.00
Face Plate Width (mm)	15.00
Face Plate Length (mm)	133.00
Manufacturer	Razeto & Casareto
Weight (kg)	0.470000

Product Options

Finish:	Chrome
	Brass
Handing:	Left
	Right
Version:	12mm Door Thickness
	15mm Door Thickness

